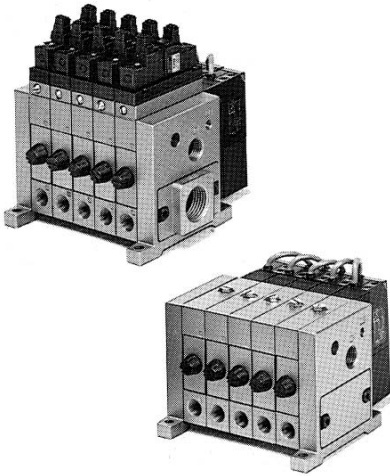


Series ZM

Manifold Specifications: Series ZM



Manifold Specifications

Manifold style	Stacking
Common SUP port*	Rc 1/4
Individual SUP port*	Rc 1/8
Common EXH port	Rc 1/2, 3/4
EXH port location	Right side/Left side/Both sides**
Max. number of stations	Max. 10 stations
Silencer	ZM-SA (With bolts)

* Mixed mounting of common SUP and individual SUP types possible.

** Right or left to the VAC port.

Maximum Ejector Stations (Max. operable nos. simultaneously)

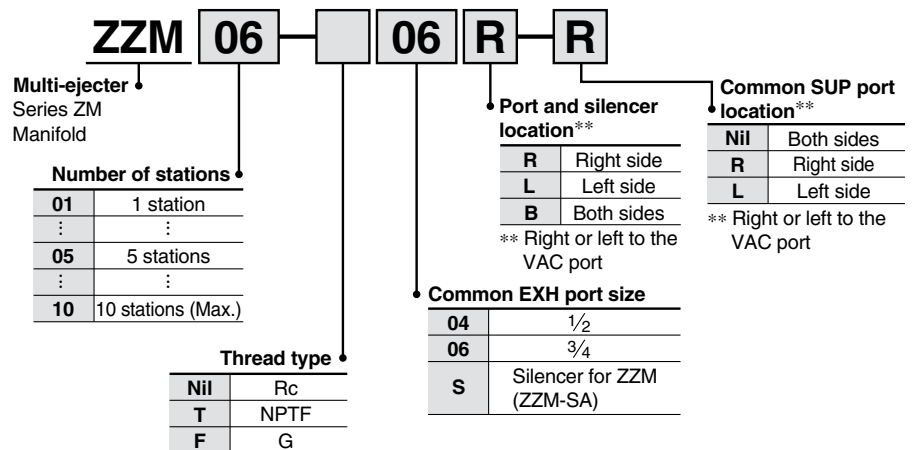
Manifold model	Ejector model	ZM053	ZM073	ZM103	ZM133
		ZM054	ZM074	ZM104	ZM134
ZM Stations— 06 ^R / _L		10	8	5	4
ZM Stations— 06B		10	10	8	6
ZM Stations— 04 ^R / _L		10	8	5	4
ZM Stations— 04B		10	10	8	6

* Effective area of external silencer is 160 mm².

Manifold Specification Sheet

Fill in the manifold specification sheet on page 13-14-20 when specifying the manifold style.

How to Order Ejector Manifold



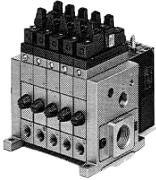
* Indicate the ejector model no. below the manifold base no.

Example)

Manifold: ZM06-06R (1 pc.)

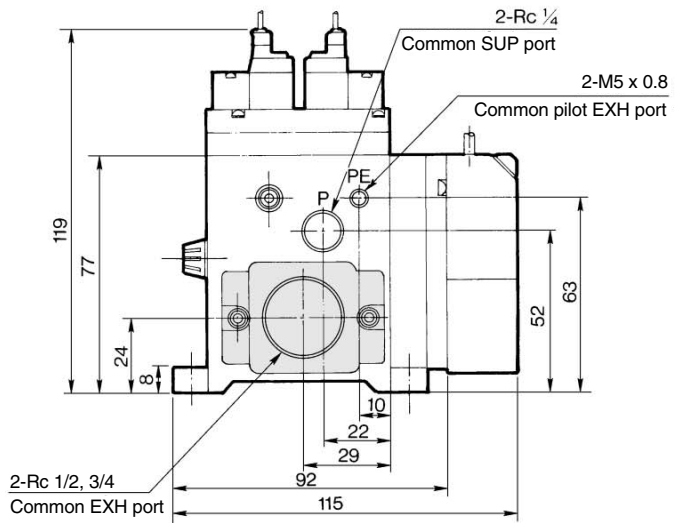
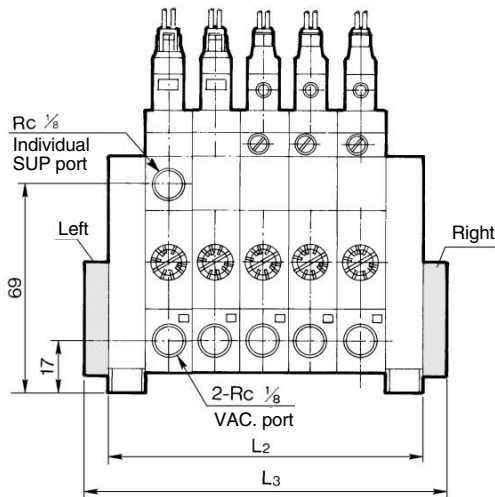
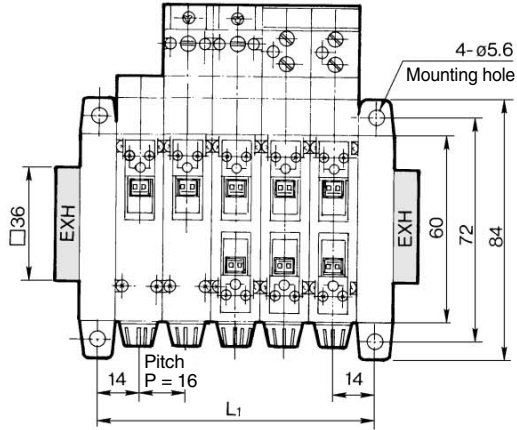
Ejector: { ZM103H-J5LZ (3 pcs.)
ZM133H-J5LZ (3 pcs.)

Vacuum Ejector: With Valve and Switch Series ZM



Manifold

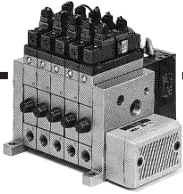
ZM Number of ejectors — Common EXH port Port location



- ZX
- ZR
- ZM**
- ZH
- ZU
- ZL
- ZY
- ZQ
- ZF
- ZP
- ZCU
- AMJ
- Misc.

(mm)										
L \ Stations	1	2	3	4	5	6	7	8	9	10
L1	28 ± 1.5	44 ± 1.5	60 ± 1.5	76 ± 1.5	92 ± 1.5	108 ± 2.0	124 ± 2.0	140 ± 2.0	156 ± 2.0	172 ± 2.0
L2	40 ± 1.5	56 ± 1.5	72 ± 1.5	88 ± 1.5	104 ± 1.5	120 ± 2.0	136 ± 2.0	152 ± 2.0	168 ± 2.0	184 ± 2.0
L3	56 ± 1.5	72 ± 1.5	88 ± 1.5	104 ± 1.5	120 ± 1.5	136 ± 2.0	152 ± 2.0	168 ± 2.0	184 ± 2.0	200 ± 2.0

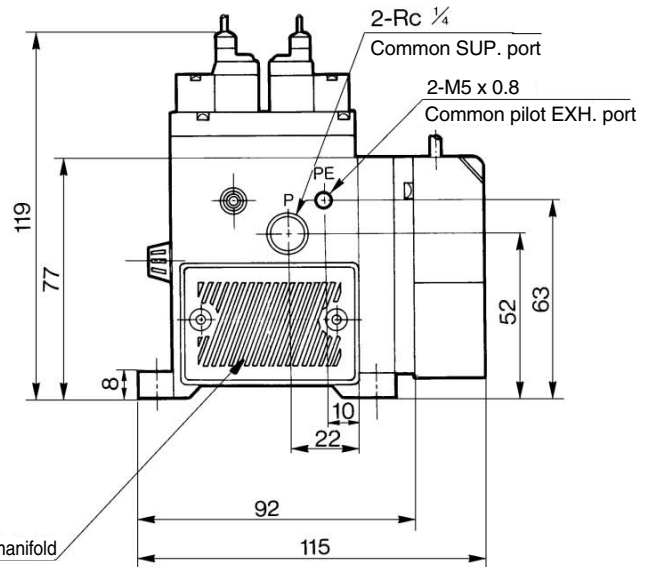
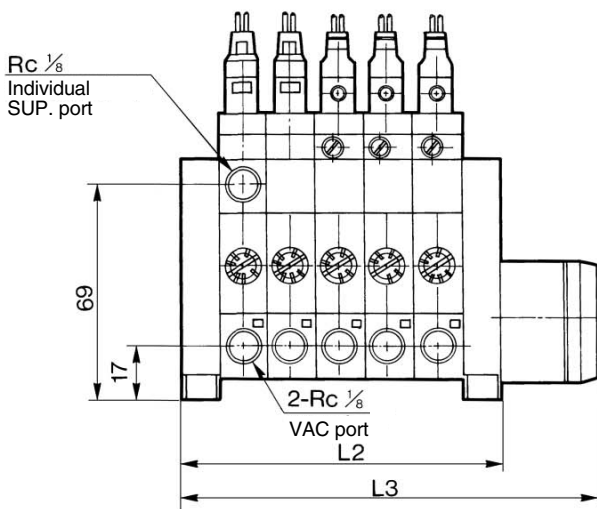
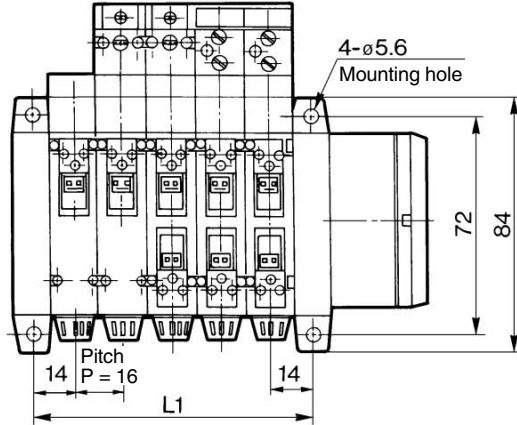
Series ZM



<Components>

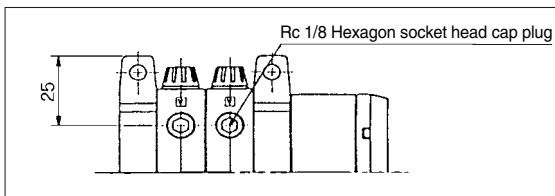
Manifold/With Silencer Manifold with Silencer Dedicated for Manifold

ZM Number of ejectors — S Silencer location



Silencer dedicated for manifold
(ZM-SA)

VAC. port electrical entry (In the case of side entry/With plug at the bottom)



(mm)

L	Stations	1	2	3	4	5	6	7	8	9	10
	L1	28 ± 1.5	44 ± 1.5	60 ± 1.5	76 ± 1.5	92 ± 1.5	108 ± 2.0	124 ± 2.0	140 ± 2.0	156 ± 2.0	172 ± 2.0
	L2	40 ± 1.5	56 ± 1.5	72 ± 1.5	88 ± 1.5	104 ± 1.5	120 ± 2.0	136 ± 2.0	152 ± 2.0	168 ± 2.0	184 ± 2.0
	L3	72 ± 1.5	88 ± 1.5	104 ± 1.5	120 ± 1.5	136 ± 1.5	152 ± 2.0	168 ± 2.0	184 ± 2.0	200 ± 2.0	216 ± 2.0