

# Nozzle Type Ionizer

New



RoHS

Slim

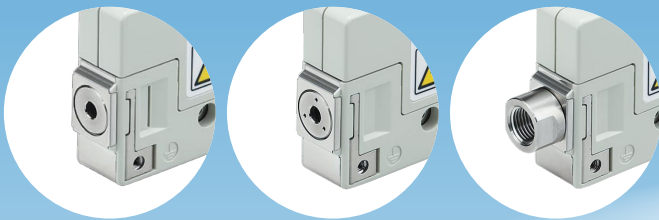
16 mm <sup>Thickness</sup> x 100 mm <sup>Width</sup> x 46 mm <sup>Height</sup>

Lightweight

33% reduction  
120 g → 80 g

Offset voltage: **±10 v**

(For energy saving static neutralization nozzle)



Energy saving static neutralization nozzle

High flow rate nozzle

Female threads for piping



## Nozzle Variations Made to order

With right angles -X367

p. 4, 21

Energy saving static neutralization nozzle



High flow rate nozzle



p. 5, 23

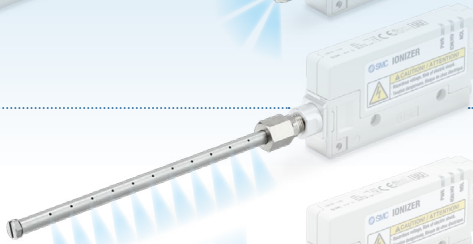
Circular diffusion nozzle



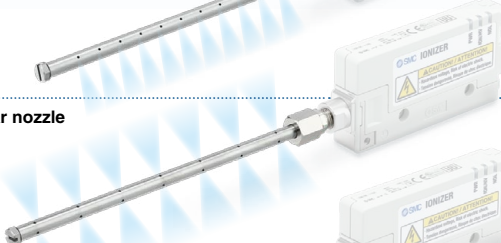
Flat diffusion nozzle



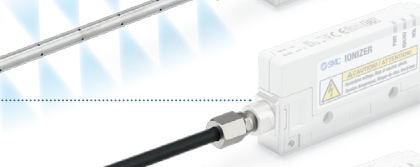
Bar nozzle (straight type)



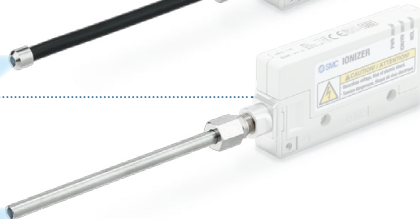
Circumferential jet bar nozzle (straight type)



Bender tube nozzle



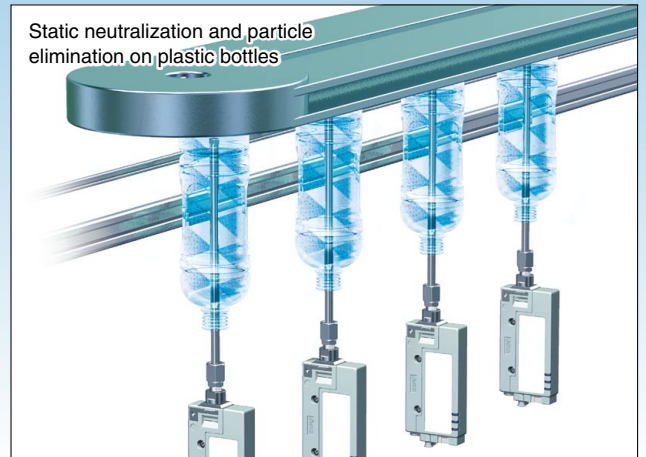
Long nozzle



## Application Examples

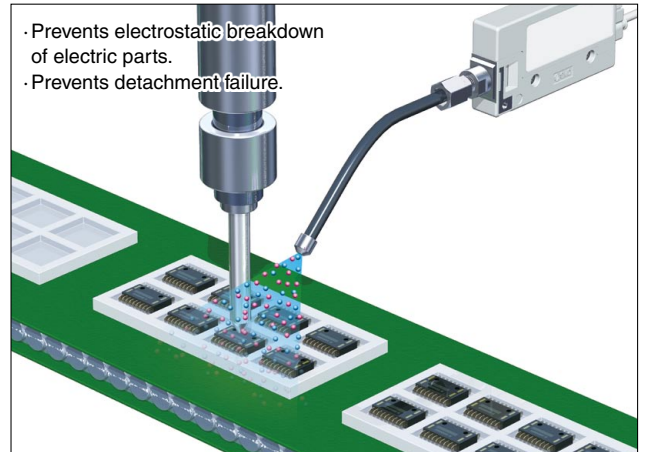
### Dust removal and static neutralization by air blow

Static neutralization and particle elimination on plastic bottles



### Spot type static neutralization

- Prevents electrostatic breakdown of electric parts.
- Prevents detachment failure.



**IZN10E Series**



CAT.ES100-121A

# Nozzle type can be selected according to applications.

## Short range static neutralization

## Energy saving static neutralization nozzle

### Design focuses on offset voltage

Offset voltage:  $\pm 10$  V

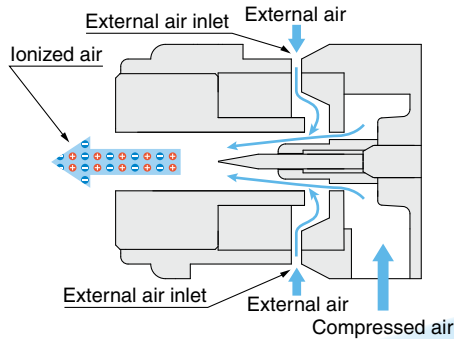
Discharge time reduced by **65%**



Ionized air flow velocity improved by **2.5 times or more**

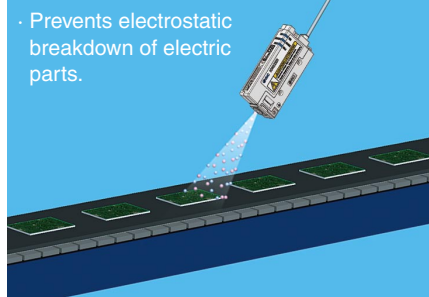


<Static neutralization is possible with minimal air consumption.>

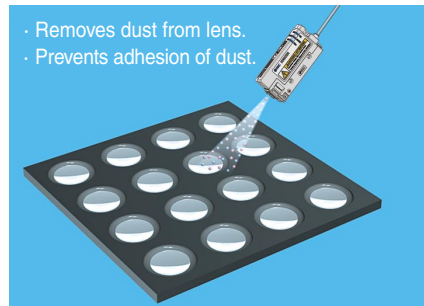


Conditions Supply pressure: 0.3 MPa, Distance: 300 mm, Air consumption flow rate: 10 L/min (ANR)

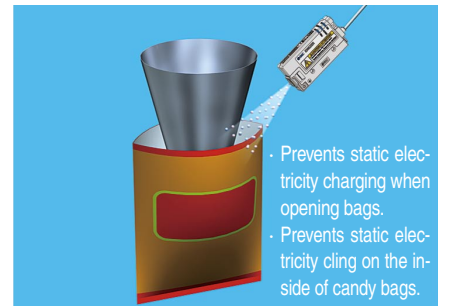
### Neutralizing static electricity from an electric substrate



### Neutralizing static electricity from lens



### Neutralizing static electricity from packing films

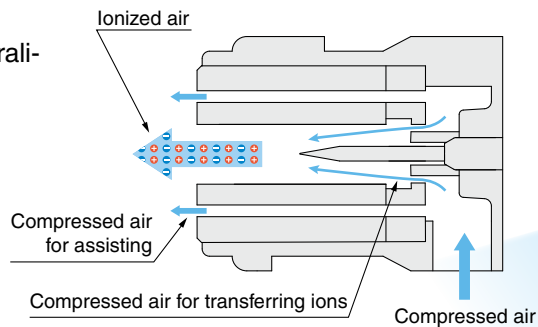


## Long range static neutralization

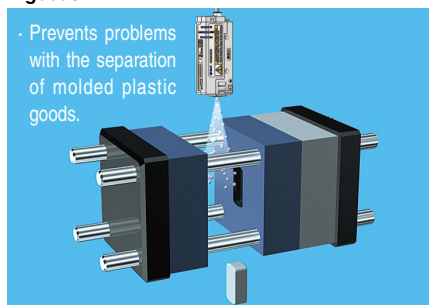
## High flow rate nozzle

- Improved dust removal performance
- Long range static neutralization: Max. 500 mm
- Offset voltage:  $\pm 15$  V

<Ionized air assisted by the compressed air>



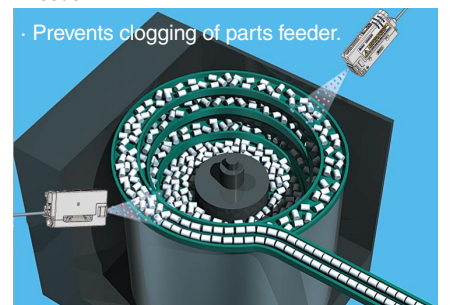
### Neutralizing static electricity from molded goods



### Neutralizing static electricity from plastic cups



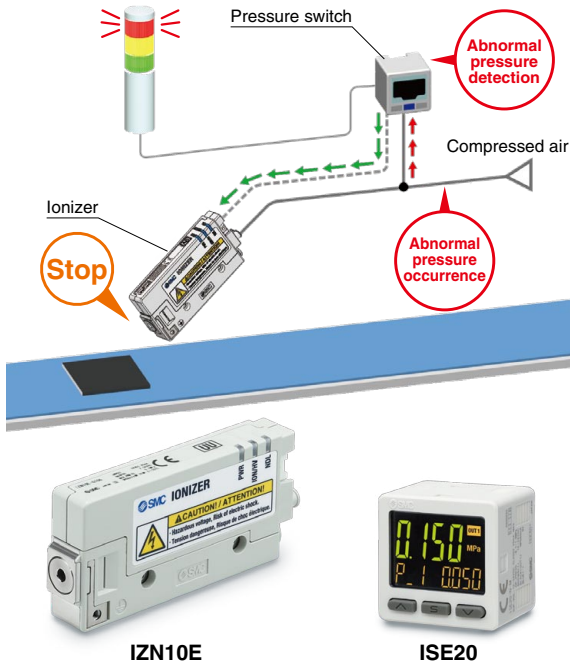
### Neutralizing static electricity from parts feeder



## With external switch input function (2 inputs)

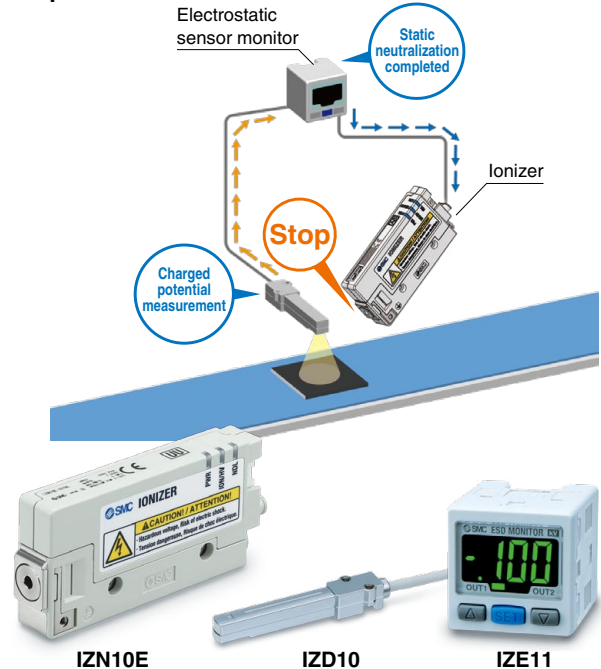
### Prevents static neutralization trouble

Emission of static electricity is suspended when abnormal purge air pressure is detected by pressure switch.



### Energy saving

Emission of static electricity is suspended when an electrostatic sensor detects that static neutralization is completed.

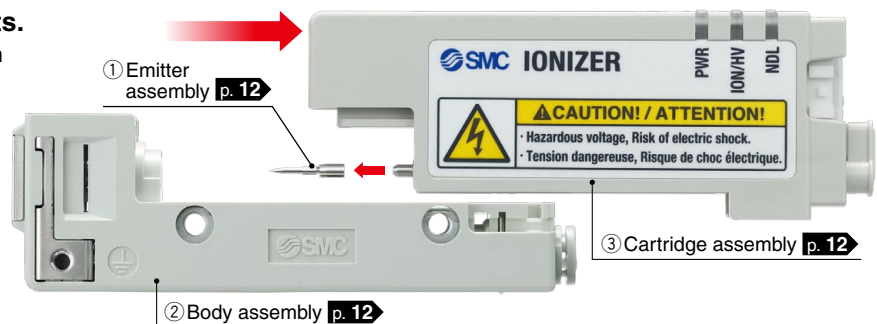


## High voltage power supply cable is not necessary.

A high voltage power supply is built in, therefore an external high voltage power supply or high voltage power supply cable is not required.

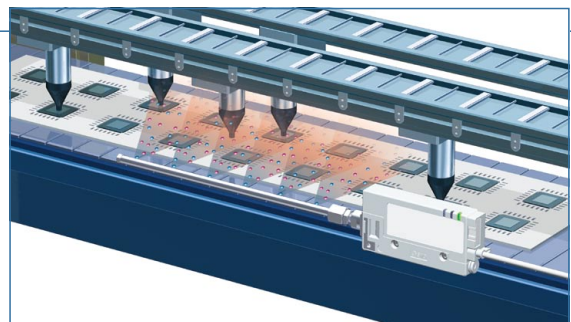
## Easy maintenance

- **Can be disassembled into 3 parts.**  
Tools are unnecessary for the installation or removal of the assembly.
- **Possible to conduct maintenance on the emitter without removal of body.**
- **No need to readjust the nozzle angle when the ionizer is re-started.**



### Maintenance warning function

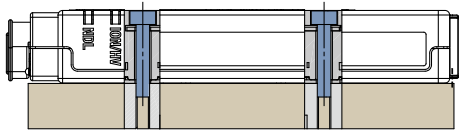
Monitors emitter contamination or wear continuously and will turn on an LEDs and output signal. Detects optimal maintenance time, reduced labor for maintenance.



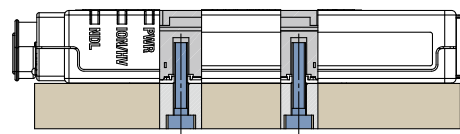
# Mounting variations

● **Direct mount**

Top through-hole mounting

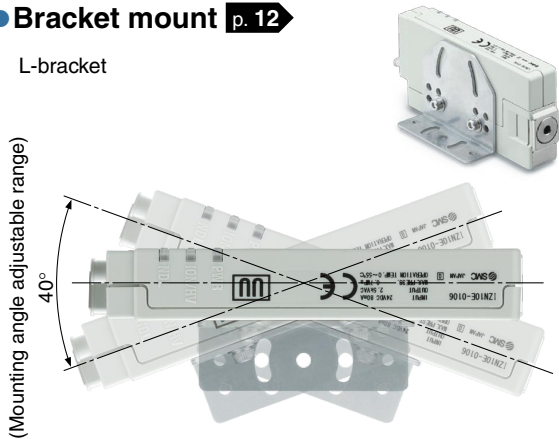


Bottom tapped mounting

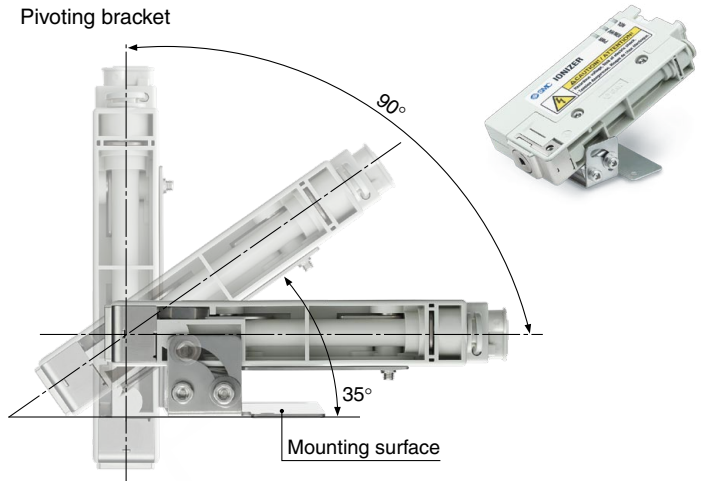


● **Bracket mount** p. 12

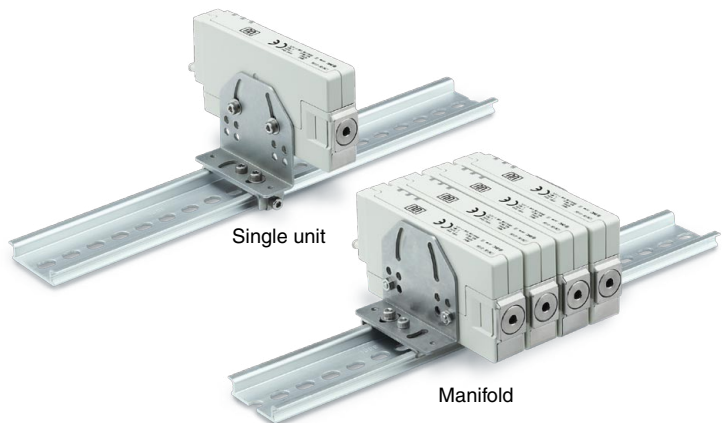
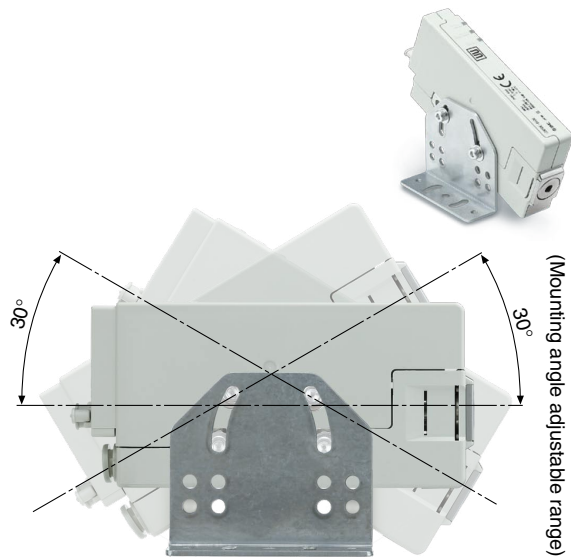
L-bracket



Pivoting bracket



DIN rail mounting bracket



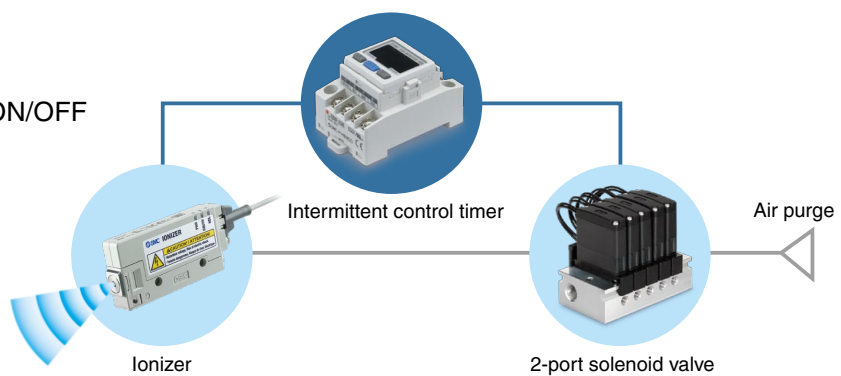
· The L-bracket and the DIN rail mounting bracket can be used with the manifold.

# Intermittent control timer Related product p. 20

**Air saving**  
**IZE110-X238**

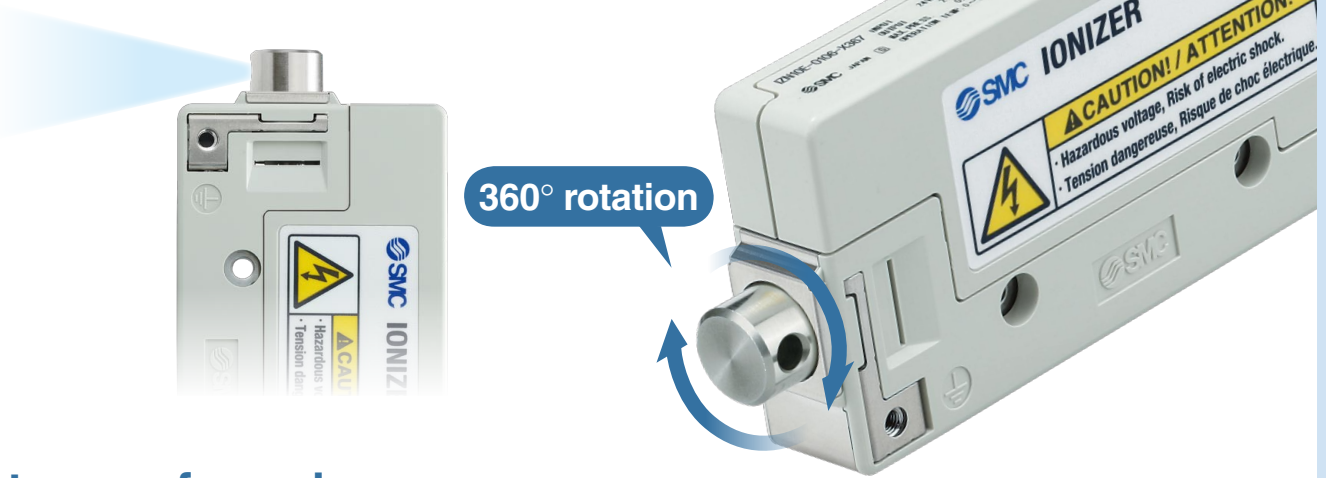
A digital timer that can control ON/OFF switches of valves etc.

**Intermittent ion discharge reduces air consumption.**



**Nozzle variations** Made to order p. 21

**With right angles -X367**



**2 types of nozzles**

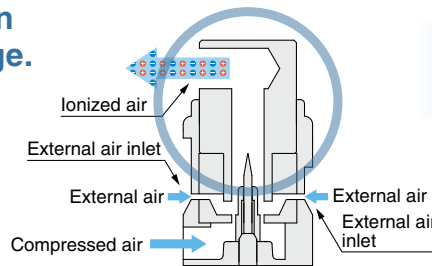
\*1 Installation distance: 100 mm

**Energy saving static neutralization nozzle**

**Short range static neutralization**  
Design focuses on offset voltage.

Offset voltage: Within  $\pm 10\text{ V}^{*1}$   
Increases air blow flow rate by external air intake

Static neutralization is possible with minimal air consumption.



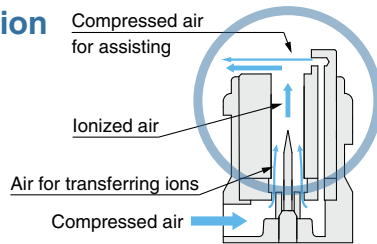
**High flow rate nozzle**

**Long range static neutralization and dust removal**

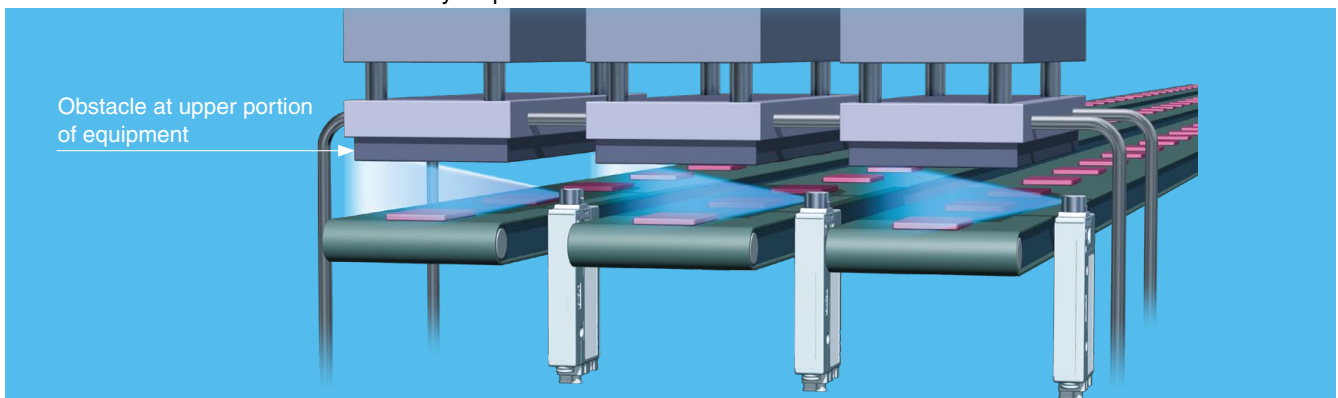
Ionized air assisted by the compressed air

- Improved dust removal performance by the energy of compressed air.
- Suitable for static neutralization at a long distance (max. 500 mm).

Offset voltage: Within  $\pm 30\text{ V}^{*1}$

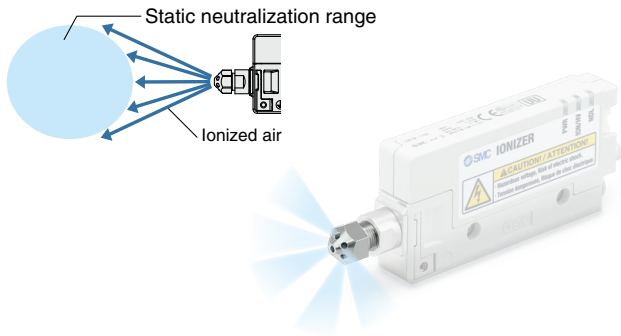


**Static neutralization from narrow conveyor space**

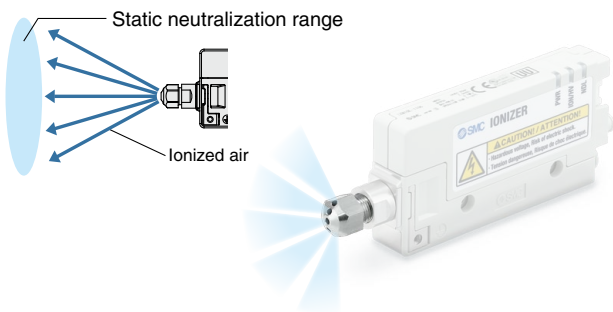


# Nozzle variations Made to order p. 23

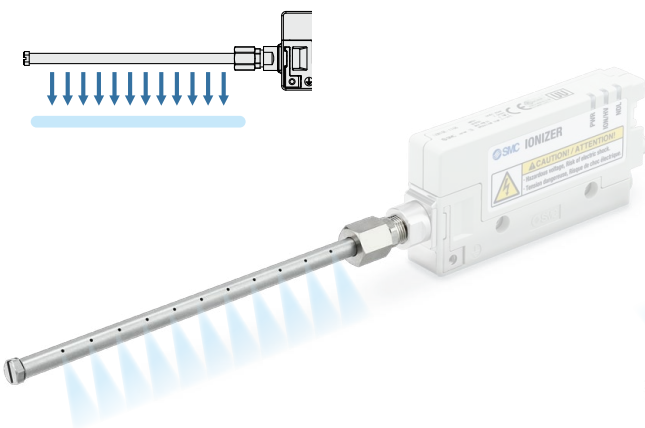
## Circular diffusion nozzle



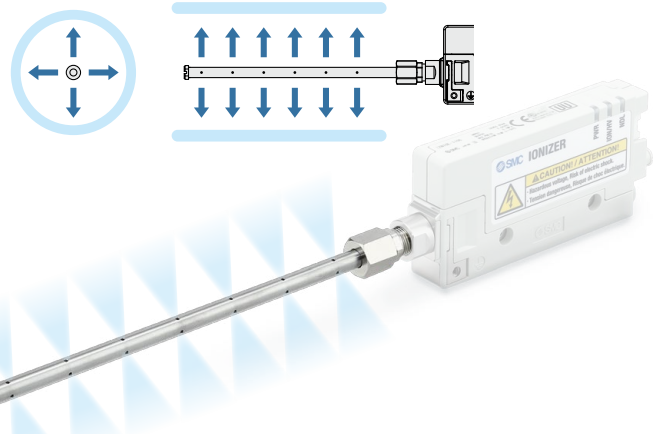
## Flat diffusion nozzle



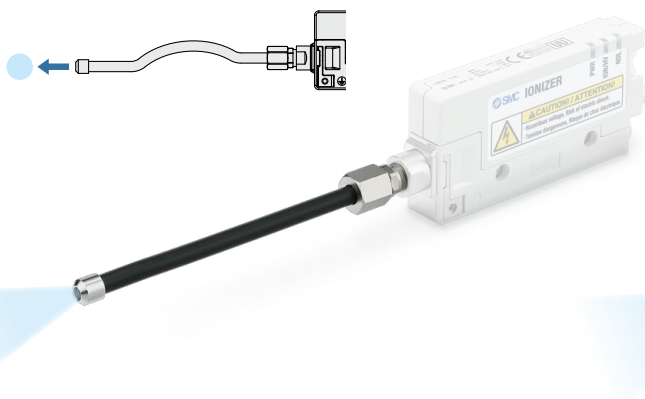
## Bar nozzle (straight type)



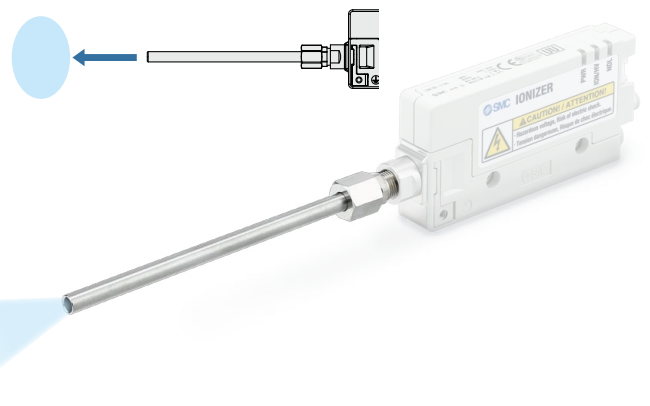
## Circumferential jet bar nozzle (straight type)



## Bender tube nozzle










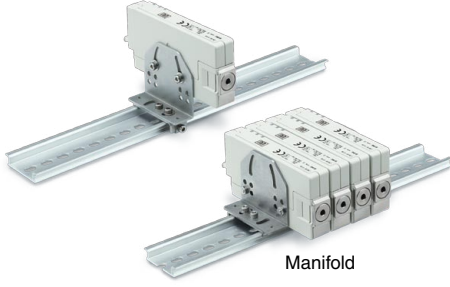














## Long nozzle



For the ionizer, please select the female threads for piping (Rc1/8).

Series Variations

	<b>IZN10E-01</b> 	<b>IZN10E-02</b> 	<b>IZN10E-11</b> 		
<b>Nozzle type</b>	Energy saving static neutralization nozzle 	High flow rate nozzle 	Female threads for piping 		
<b>Ion generation method</b>	Corona discharge type				
<b>Input/Output specifications</b>	NPN, PNP				
<b>Bracket</b> p. 12	<b>L-bracket</b>  Fixed mounting  Pivot mounting	<b>Pivoting bracket</b> 	<b>DIN rail mounting bracket</b>  Manifold		
<b>Options</b> p. 13	<b>Manifold mounting parts set</b> 	<b>AC adapter</b> 	<b>Cleaning kit</b> 		
<b>Related product</b> Made to order p. 20	<b>Related product</b> Intermittent control timer 	<b>Made to order</b> <b>Nozzle variations</b>			
		Energy saving static neutralization nozzle with right angles 	High flow rate nozzle with right angles 	Circular diffusion nozzle 	Flat diffusion nozzle 
		Bar nozzle (straight type) 	Circumferential jet bar nozzle (straight type) 	Bender tube nozzle 	Long nozzle 

# CONTENTS

## Nozzle Type Ionizer *IZN10E Series*



Energy saving static neutralization nozzle



High flow rate nozzle



Female threads for piping

### Technical Data

Static Neutralization Characteristics .....	p. 8
Blow Velocity Distribution .....	p. 8
Flow Rate Characteristics .....	p. 9
Ozone Concentration .....	p. 9

How to Order .....	p. 10
Specifications .....	p. 11
Accessories .....	p. 12
Repair Parts .....	p. 12
Options .....	p. 13
Functions .....	p. 14
Wiring .....	p. 15
Power Supply Cable Connection Circuit .....	p. 16
Timing Chart .....	p. 16
Dimensions .....	p. 17

### Related Product

Intermittent Control Timer .....	p. 20
----------------------------------	-------

### Made to Order

With Right Angles -X367 .....	p. 21
Nozzle Variations .....	p. 23

Specific Product Precautions .....	p. 24
------------------------------------	-------

Safety Instructions .....	Back Cover
---------------------------	------------



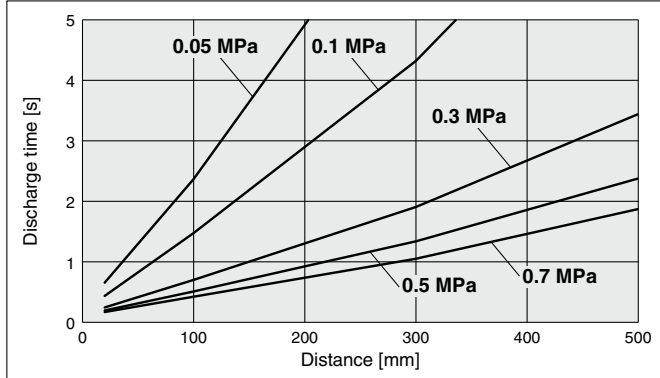
# IZN10E Series

## Technical Data

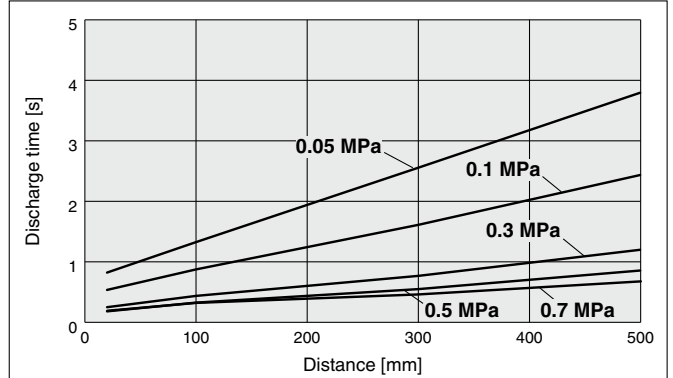
\* Static neutralization characteristics are based on data using a charged plate (dimensions: 150 mm x 150 mm, capacitance: 20 pF) as defined in the U.S. ANSI standards (ANSI/ESD STM3.1-2006). Use this as a guideline purpose only for model selection because the value varies depending on the material and/or size of a subject.

### Static Neutralization Characteristics (Discharge Time from +1000 V to +100 V)

#### ① Energy saving static neutralization nozzle IZN10E-01



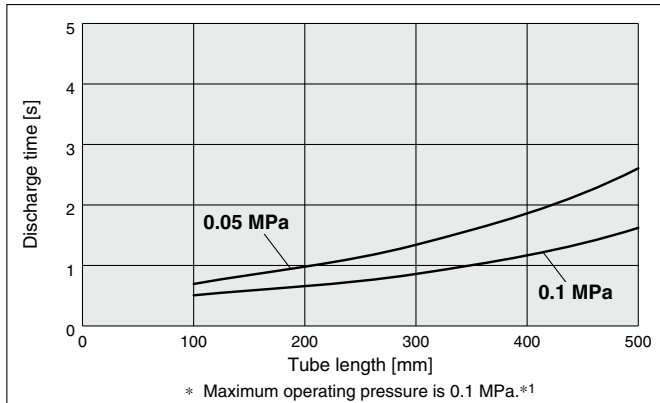
#### ② High flow rate nozzle IZN10E-02



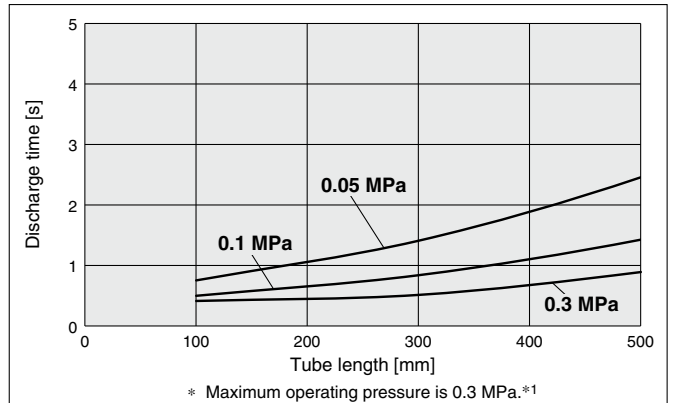
#### ③ Female threads for piping IZN10E-11 With Stainless steel 316 One-touch fitting\*2 + Anti-static tubing

\* Discharge time at a distance of 50 mm from the end of tube

Tube I.D.: 4 mm



Tube I.D.: 5 mm

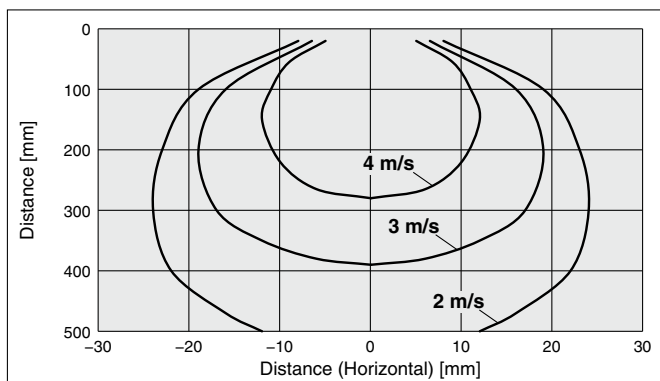


\*1 Refer to "Cautions when using the IZN10E-11 female threads for piping" on page 10.

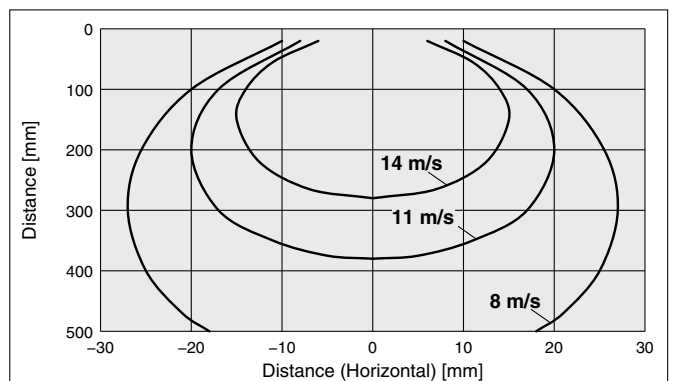
\*2 The ionizer generates a small amount of ozone. Please use ozone resistant tubing and fittings for piping the female threads. Check periodically for ozone deterioration, and replace if necessary.

### Blow Velocity Distribution (Supply Pressure: 0.3 MPa)

#### ① Energy saving static neutralization nozzle IZN10E-01



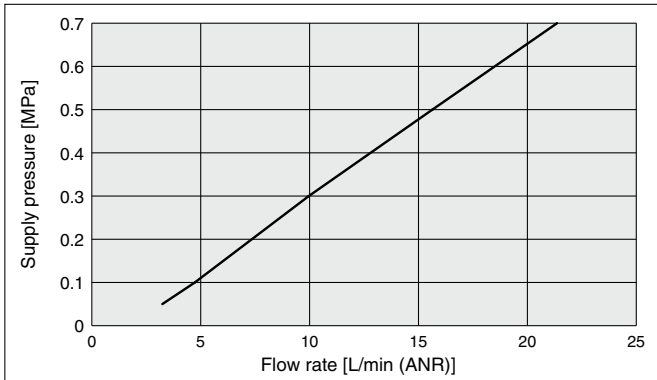
#### ② High flow rate nozzle IZN10E-02



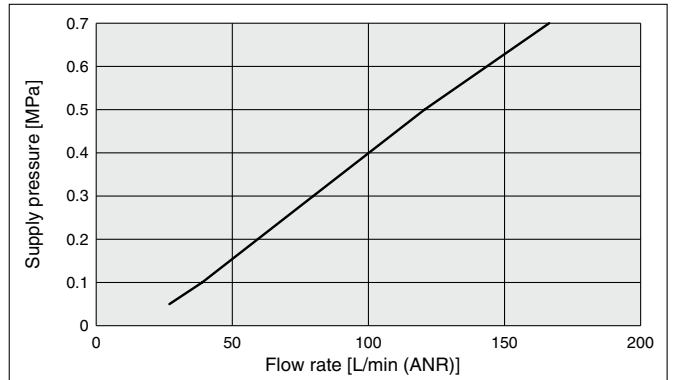
# IZN10E Series

## Flow Rate Characteristics

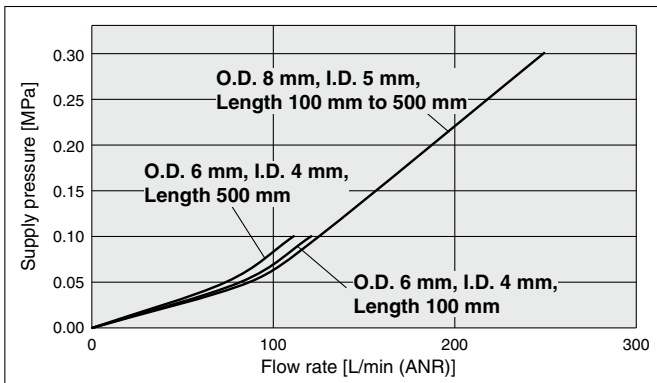
### ① Energy saving static neutralization nozzle IZN10E-01



### ② High flow rate nozzle IZN10E-02



### ③ Female threads for piping IZN10E-11 With Stainless steel 316 One-touch fitting + Anti-static tubing



\* When a pressure above each line is used, the maintenance warning function may work and turn on the LED. Refer to "Cautions when using the IZN10E-11 female threads for piping" on page 10.

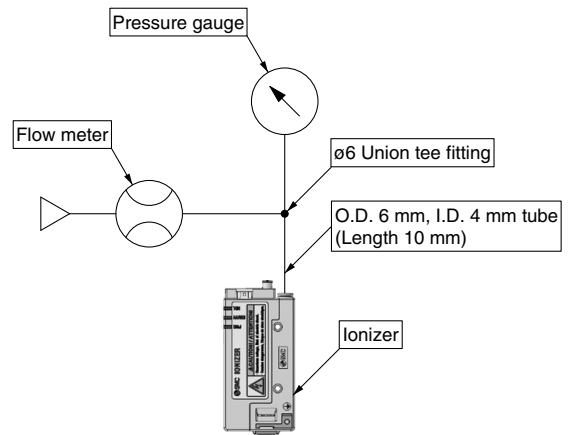
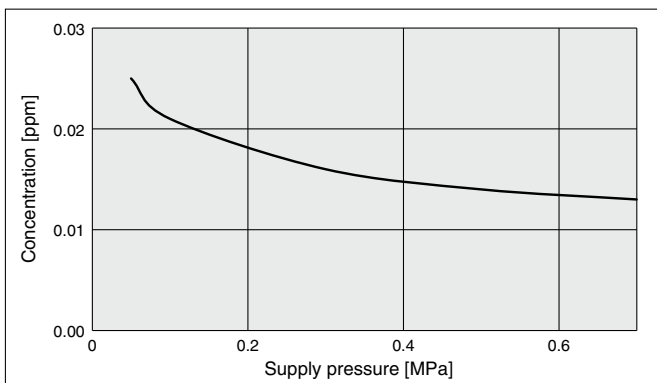


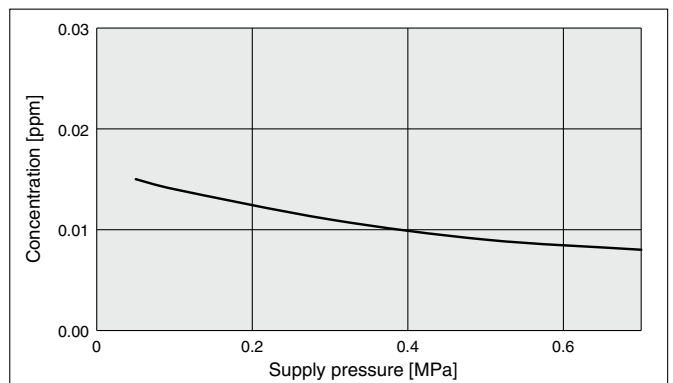
Fig. 1: Flow rate characteristics measuring circuit

## Ozone Concentration

### ① Energy saving static neutralization nozzle IZN10E-01



### ② High flow rate nozzle IZN10E-02



\* Ozone condensation can increase in an enclosed space. Check the ozone condensation of the operating environment before use.

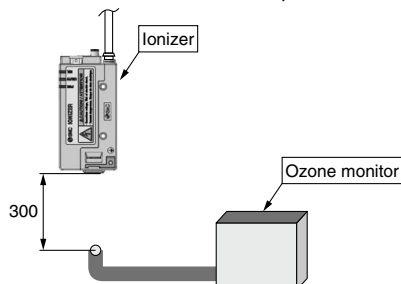
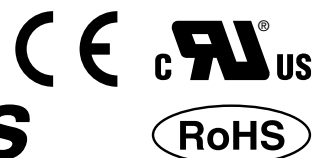
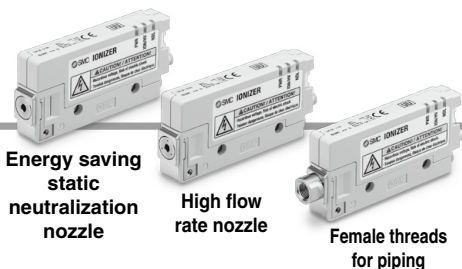


Fig. 2: Ozone condensation measuring circuit

# Nozzle Type Ionizer IZN10E Series



## How to Order



**IZN10E - 01 P 06 Z - B1**

High frequency AC nozzle type

Nozzle type

Symbol	Type
01	Energy saving static neutralization nozzle
02	High flow rate nozzle
11	Female threads for piping*1

\*1 Refer to the cautions when using the female threads for piping shown below.

Input/Output specifications

Symbol	Type
Nil	NPN input/output
P	PNP input/output

Port size (One-touch fitting)

Symbol	Type
06	ø6: Metric size 
07	ø6.35 (1/4"): Inch size 
16	ø6: Metric size (Elbow) 
17	ø6.35 (1/4"): Inch size (Elbow) 

Bracket

Symbol	Type	Part no.
Nil	None	—
B1	L-bracket	IZN10-B1
B2	Pivoting bracket	IZN10-B2
B3	DIN rail mounting bracket	IZN10-B3

\* Refer to page 12. Brackets are the same as those for the current model (IZN10). Mounting is interchangeable.

Power supply cable

Symbol	Type	Part no.
Nil	With power supply cable (3 m)	IZN10E-CP
Z	With power supply cable (10 m)	IZN10E-CPZ
N	Without power supply cable	—

\* Mounting is interchangeable with the current model (IZN10).

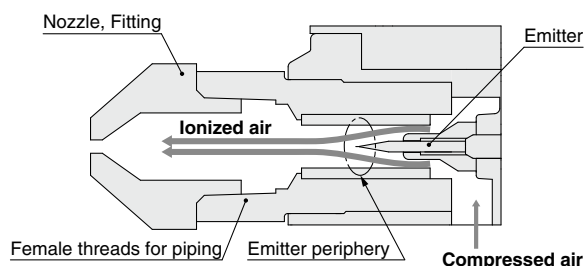


**Made to Order**  
(For details, refer to page 21.)

Symbol	Specifications
-X367	Nozzle with right angles

## Cautions when using the IZN10E-11 female threads for piping

- For the female thread (Rc1/8) type, a custom made nozzle or fittings/tubing combination must be prepared and connected by the user.
- If a nozzle with discharge port diameter or tubing with an I.D. of less than 4 mm is connected, the air pressure inside the nozzle may increase depending on the configuration.
- This product uses a high frequency AC voltage. If the air pressure around the emitter increases during ion generation, the ion generation efficiency decreases and the maintenance alarm (signal output, maintenance LED) will be activated (refer to the figure to the right).
- When the maintenance alarm is generated, the static neutralization performance is decreased.
- The table below shows the supply pressure specifications when made-to-order nozzles and fittings/tubing combinations are connected.



Sectional view of the female threads for piping

Made-to-order nozzle product names/Piping examples	Made-to-order nozzle part no. (page 23)	Supply pressure specifications
Circular diffusion nozzle	IZN10-G-X198	0.05 to 0.1 MPa
Flat diffusion nozzle	IZN10-G-X199	0.05 to 0.1 MPa
Bar nozzle (straight type)	IZN10-G-□-X216	0.05 to 0.1 MPa
Circumferential jet bar nozzle (straight type)	IZN10-G-X278	0.05 to 0.15 MPa
Bender tube nozzle	IZN10-G-□-X205	0.05 to 0.15 MPa
Long nozzle	IZN10-G-□-X226	0.05 to 0.15 MPa
Fitting (Applicable tubing O.D. 6 mm) + Tube (O.D. 6 mm, I.D. 4 mm)*1	—	0.05 to 0.1 MPa
Fitting (Applicable tubing O.D. 8 mm) + Tube (O.D. 8 mm, I.D. 5 mm)*1	—	0.05 to 0.3 MPa

\*1 When connecting the tubing, use a length of tubing 500 mm or less for the connection, regardless of the inside diameter size.

- When using piping materials prepared by the user, secure an air passage of 4 mm or more inside diameter. If using tubing, ensure the minimum bending radius is used and keep the tube length to 500 mm or less.
- Please install so as not to receive a moment force on the nozzle (page 25).

# IZN10E Series

## Specifications

Model		IZN10E-□ (NPN specification)	IZN10E-□P (PNP specification)
Ion generation method		Corona discharge type	
Method of applying voltage		High frequency AC type	
Applied voltage*1		2.5 kVAC	
Offset voltage (Ion balance)*2	Energy saving static neutralization nozzle	±10 V	
	High flow rate nozzle	±15 V	
Air purge	Fluid	Air (Clean dry air)	
	Operating pressure*3*4	0.05 MPa to 0.7 MPa	
	Connecting tube size	ø6, ø1/4 inch	
Power supply voltage		24 VDC ±10%	
Current consumption		80 mA or less	
Input signal	Discharge stop signal	Connected to 0 V Voltage range: 5 VDC or less Current consumption: 5 mA or less	Connected to +24 V Voltage range: 19 VDC to power supply voltage Current consumption: 5 mA or less
	Reset signal		
	External switch signal 1		
	External switch signal 2		
Output signal	Discharge signal	Max. load current: 40 mA Residual voltage: 1 V or less (Load current at 40 mA) Max. applied voltage: 26.4 VDC	Max. load current: 40 mA Residual voltage: 1 V or less (Load current at 40 mA)
	Error signal		
	Maintenance signal		
Effective static neutralization range		20 to 500 mm	
Ambient temperature (Operating/Stored)		0 to 55°C	
Ambient humidity (Operating/Stored)		35 to 65% RH (No condensation)	
Material	Housing	ABS, Stainless steel	
	Nozzle	Stainless steel	
	Emitter	Tungsten	
Impact resistance		100 m/s <sup>2</sup>	
Body weight	Energy saving static neutralization nozzle	70 g	
	High flow rate nozzle	70 g	
	Female threads for piping	75 g	
Bracket weight	L-bracket	30 g	
	Pivoting bracket	40 g	
	DIN rail mounting bracket (Single unit)	40 g	
Standards/Directive		CE, UL, CSA, RoHS	

\*1 Measured with a probe of 1000 MΩ and 5 pF.

\*2 Measurement values based on a charged plate (dimensions: 150 mm x 150 mm, capacitance: 20 pF) defined by ANSI standard (ANSI/ESD STM3.1-2006). The distance between the charged plate and the ionizer: 100 mm, the air purge is 0.3 MPa (energy saving static neutralization nozzle) / 0.1 MPa (high flow rate nozzle).

\*3 Static electricity cannot be neutralized without air purge. As the concentration of ozone inside the nozzle increases, there is a possibility that the product and surrounding equipment may be adversely affected, so be sure to air purge during ion generation.

\*4 To stop the air purge temporarily during operation, turn the discharge stop signal input OFF to prevent the increase of ozone concentration inside the nozzle.

\* Refer to the cautions on page 10 when using the IZN10E-11 (female threads for piping).

Model		IZN10E-C□-□
Input voltage*1		100 to 240 VAC, 50/60 Hz
Output voltage		24 VDC
Output current		1 A max
Ambient temperature	Operating	0 to 40°C
	Stored	-20 to 60°C
Ambient humidity	Operating/Stored	10 to 90%RH
Standards/Directive		CE, cUL

\*1 For the AC cord type, note that the rated voltage of the AC cord included as an accessory is 125 V (See page 13).

## Accessories

### Bracket

**IZN10 - B1**

• **Bracket**

Symbol	Type
<b>B1</b>	L-bracket
<b>B2</b>	Pivoting bracket
<b>B3</b>	DIN rail mounting bracket

### L-bracket

**IZN10-B1**



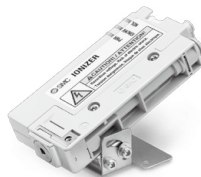
Fixed mounting



Pivot mounting

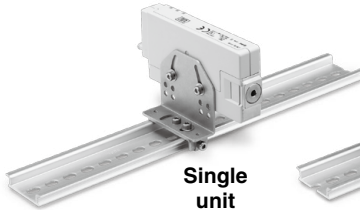
### Pivoting bracket

**IZN10-B2**

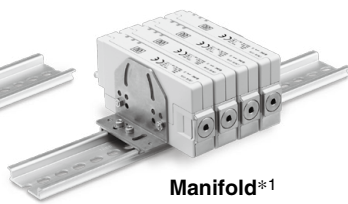


### DIN rail mounting bracket

**IZN10-B3**



Single unit



Manifold\*1

\*1 The L-bracket and the DIN rail mounting bracket can be used with the manifold.

### Power supply cable

**IZN10E - CP**

• **Power supply cable**

Symbol	Type
<b>Nil</b>	3 m
<b>Z</b>	10 m

### Power supply cable: Made to order

**IZN10E - CP 01 - X13**

• **Power supply cable length**

Symbol	Type
<b>01</b>	1 m
:	:
<b>20</b>	20 m

\* Available in 1 m increments from 1 m to 20 m.

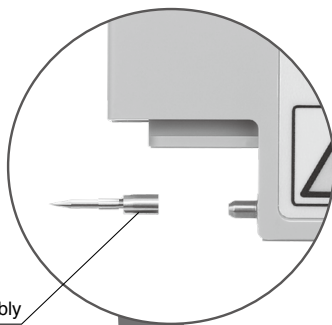
Use standard power supply cables for 3 m and 10 m lengths.



## Repair Parts

### Emitter assembly

**IZN10E-NT**



Emitter assembly



### Body assembly

**IZN10E - A002 - 01 06**

• **Nozzle type**

Symbol	Type
<b>01</b>	Energy saving static neutralization nozzle
<b>02</b>	High flow rate nozzle
<b>11</b>	Female threads for piping



• **One-touch fitting**

Symbol	Type
<b>06</b>	ø6: Metric size
<b>07</b>	ø6.35 (1/4"): Inch size
<b>16</b>	ø6: Metric size (Elbow)
<b>17</b>	ø6.35 (1/4"): Inch size (Elbow)

### Cartridge assembly

**IZN10E - A003 -**

• **Input/Output specifications**

Symbol	Type
<b>Nil</b>	NPN input/output
<b>P</b>	PNP input/output



# IZN10E Series

## Options

### Manifold mounting parts set

This set consists of a hexagon socket head cap screw, spacer, and hexagon nut.

\*1 The ionizer, L-bracket, and DIN rail mounting bracket need to be prepared separately.

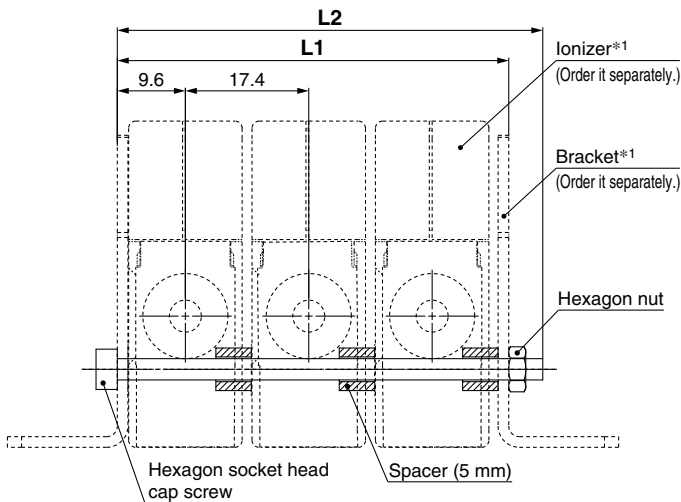
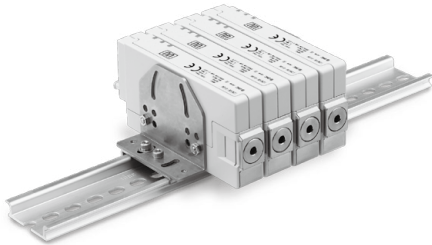
### IZN10E-ES 4

#### Mounting pitch

Symbol	Pitch
ES	17.4 mm

#### Mounting stations

Symbol	Stations
2	2
3	3
4	4



Part no.	L1	L2	Number of spacers
IZN10E-ES2	37.8	45	4
IZN10E-ES3	55.2	60	6
IZN10E-ES4	72.6	76	8

### AC adapter

### IZN10E-C G1 -

#### AC adapter

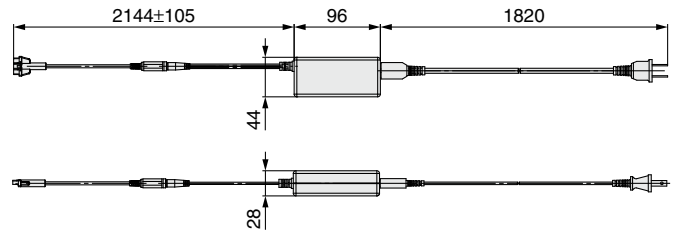
Symbol	Type
G1	With AC cord*1
G2	Without AC cord

#### Input/Output specifications\*2

Symbol	Type
Nil	NPN input/output
P	PNP input/output

\*1 AC cord is only for use in Japan. (Rated voltage 125 V, Plug JIS C8303, Inlet IEC60320-C8)

\*2 Select the same input/output specification as the ionizer.



### Cleaning kit IZS30-M2



## Functions

### 1. Maintenance warning

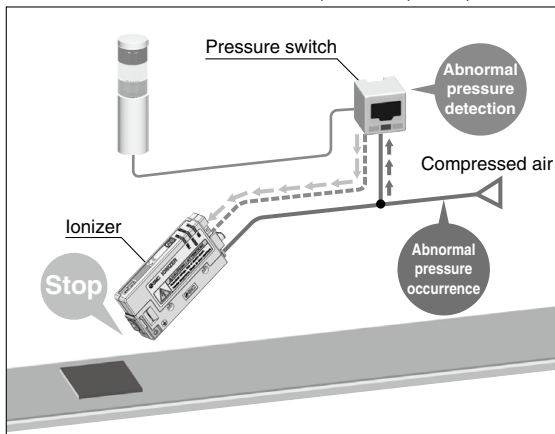
Constantly monitors lowered static neutralization performance due to contamination or wear of the emitter. The maintenance LED lights up and maintenance signal is generated.

### 2. Signal inputs by external switch

There are 2 ports for external switch signal inputs.

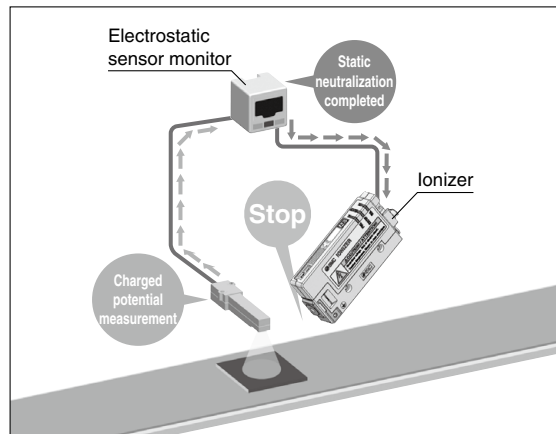
**Example** Emission of static electricity is suspended when abnormal purge air pressure is detected by pressure switch.

- Prevents static neutralization trouble due to pressure drop of compressed air.

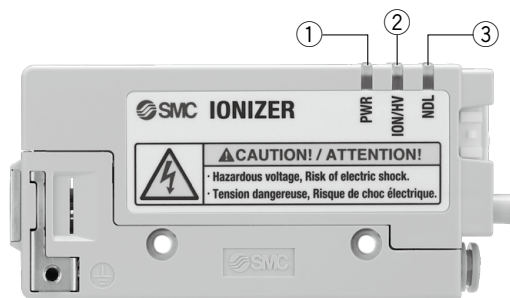


**Example** Emission of static electricity is suspended when an electrostatic sensor detects that static neutralization is completed.

- Energy can be saved by stopping discharge when static neutralization is completed.



### 3. Description of LEDs



No.	Description	LED	Color	Contents
①	<b>Power supply display</b>	PWR	Green	Lights up when the power supply is turned on.
②	<b>Discharge/irregular high voltage display</b>	ION/HV	Green/Red	Lights up when static electricity is discharged. (Green)/Lights up if an abnormal high voltage discharge occurs. (Red)
③	<b>Maintenance display</b>	NDL	Green	Light is ON when the static neutralization performance is reduced due to contamination, wear or breakage of emitters.

### Behavior of LEDs

Item	PWR	ION/HV	NDL	Note
Normal operation (with discharge stop signal on)	Green	Green		Ions are being generated.
Normal operation (with discharge stop signal off)	Green			Discharge stops.
High voltage error occurred	Green	Red		Discharge stops.
External switch signal 1 (with signal on)	Green			Discharge stops when the signal is turned on.
External switch signal 2 (with signal on)	Green			
Maintenance warning occurred	Green	Green	Green	Discharge continues.

### 4. Alarm

Alarm item	Description	Corrective actions
High voltage error	Gives notification of the occurrence of an abnormal high voltage discharge. The ionizer stops discharging, turns on the HV LED. When error occurred, the signal output is turned off.	Turn off the power, solve the problem, then turn the power on again. If the error is solved during operation, turn the reset signal on and then off.
Maintenance warning	Gives notification that emitter maintenance is necessary. The NDL LED turns on and a maintenance output signal is turned on.	Turn off the power, clean the emitters, and turn the power on again.

# IZN10E Series

## Wiring

No.	Cable color	Description	I/O	Wiring requirement*1	Specifications
1	Brown	+24 VDC	–	○	–
2	Blue	0 V	–	○	–
3	Orange	Discharge stop signal	Input	○	When the signal is turned off, discharge stops.
4	Pink	Reset signal	Input		When the signal is turned on and then off, the error signal is reset. When the signal is turned off, normal operation continues.
5	White	Discharge signal	Output		The signal stays on during discharge.
6	Purple	Error signal	Output		The signal is turned off when an error occurs.
7	Yellow	Maintenance signal	Output		The signal is turned on when maintenance is due.
8	Gray	External switch signal 1	Input		When the signal is turned on, discharge stops.
9	Light blue	External switch signal 2	Input		When the signal is turned on, discharge stops.

\*1 **Wiring requirement**

○: Minimum wiring requirement for ionizer operation

### • Input signal

NPN: The signal is turned on when the 0 V power supply is connected, and turned off when disconnected.

PNP: The signal is turned on when the +24 VDC power supply is connected, and turned off when disconnected.

### • Output signal

NPN: The output transistor is energized (by the 0 V power supply inside the ionizer) when the signal is turned on, and de-energized when turned off.

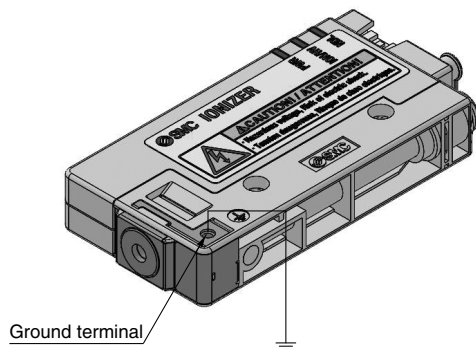
PNP: The output transistor is energized (by the +24 VDC power supply inside the ionizer) when the signal is turned on, and de-energized when turned off.

## Provide Grounding

Make sure to ground the ground terminal with a ground resistance of 100  $\Omega$  or less.

The ground terminal is used as a reference electric potential for static neutralization.

If the ground terminal is not grounded, the ionizer will not be able to achieve the optimal offset voltage (ion balance).





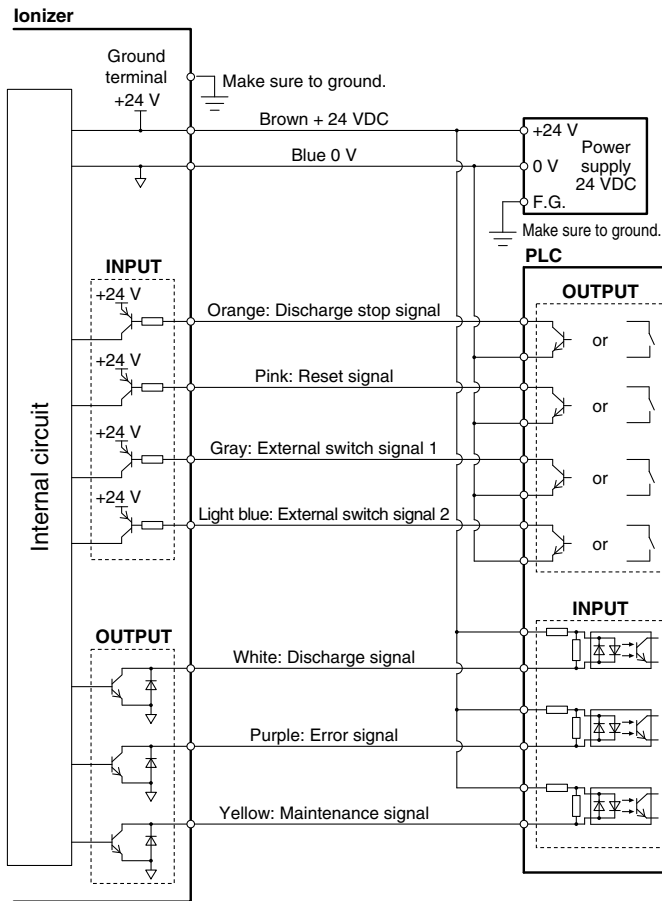
## Power Supply Cable Connection Circuit

Make sure to ground the ground terminal with a ground resistance of 100 Ω or less.

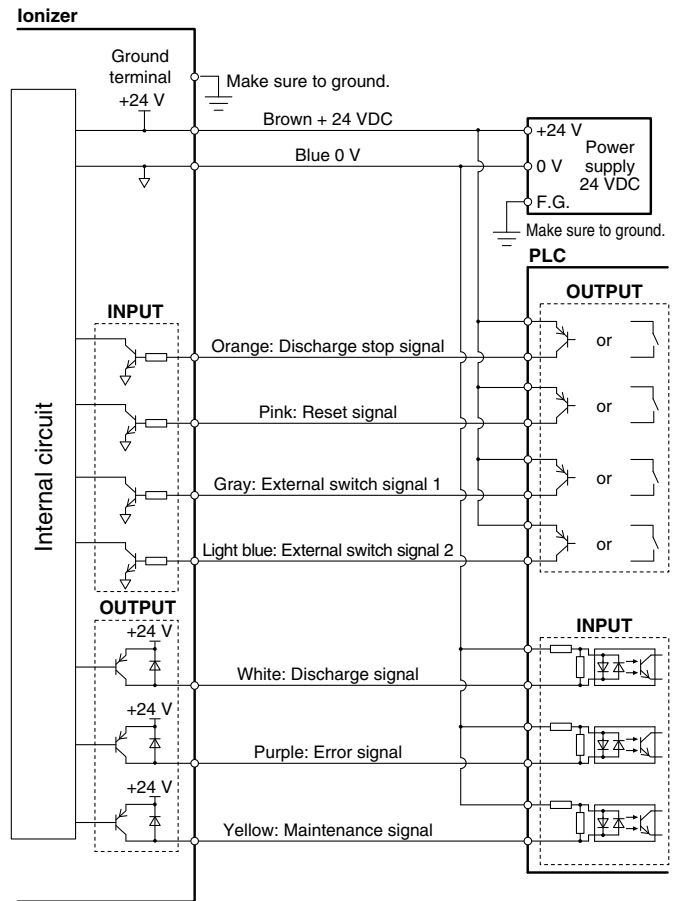
The ground terminal is used as a reference electric potential for static neutralization.

If the ground terminal is not grounded, the ionizer will not be able to achieve the optimal offset voltage (ion balance).

### ■ NPN input/output



### ■ PNP input/output



## Timing Chart

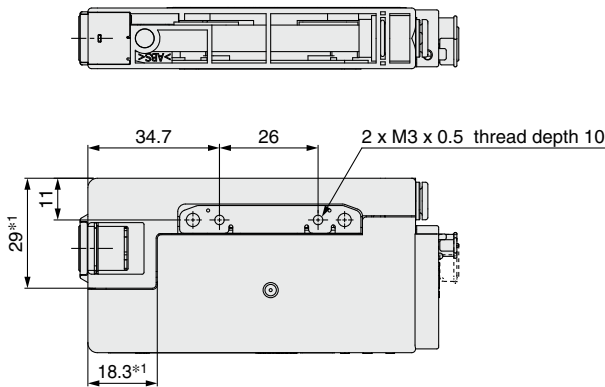
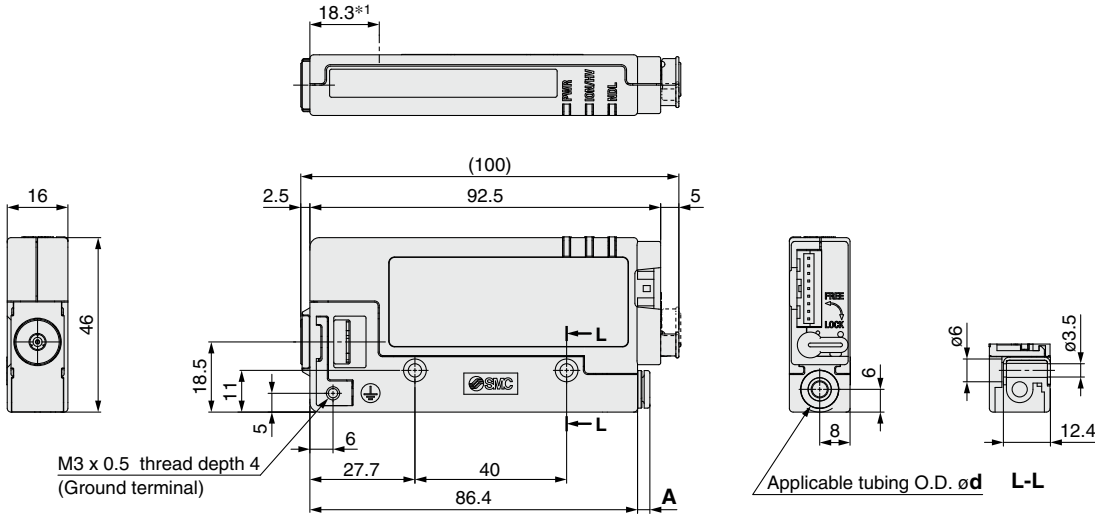
			Power supply on	High voltage error	Maintenance required	External switch on	Note
Power supply	Input	ON OFF	[ON]	[OFF]	[OFF]	[OFF]	
Discharge stop signal	Input	ON OFF	[OFF]	[ON]	[OFF]	[OFF]	Discharge starts when the signal is turned on.
Reset signal	Input	ON OFF	[OFF]	[ON]	[OFF]	[OFF]	The error signal can be reset by turning the reset signal on and then off.
Discharge signal (on when ions are being generated)	Output	ON OFF	[ON]	[OFF]	[OFF]	[OFF]	
Error signal	Output	ON OFF	[OFF]	[ON]	[OFF]	[OFF]	When an error occurs, the signal is turned off.
Maintenance signal	Output	ON OFF	[OFF]	[OFF]	[ON]	[OFF]	Ions are still generated even when the maintenance signal is turned on.
External switch signal 1, 2	Input	ON OFF	[OFF]	[OFF]	[OFF]	[ON]	

# IZN10E Series

## Dimensions

Energy saving static neutralization nozzle IZN10E-01 □<sup>06</sup><sub>07</sub>

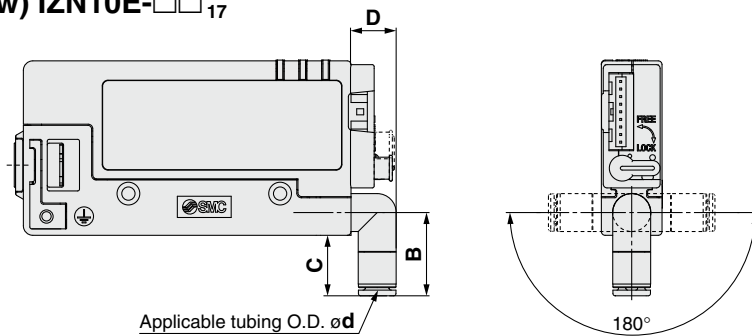
High flow rate nozzle IZN10E-02 □<sup>06</sup><sub>07</sub>



Model	d	A
IZN10E- <sup>01</sup> <sub>02</sub> □ <sup>06</sup>	6	3.5
IZN10E- <sup>01</sup> <sub>02</sub> □ <sup>07</sup>	1/4"	7

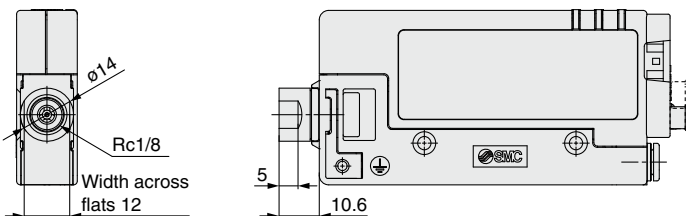
\*1 Dimension of the resin part in described in the Mounting Warning note 3 (page 24).

One-touch fitting (Elbow) IZN10E-□□<sup>16</sup><sub>17</sub>



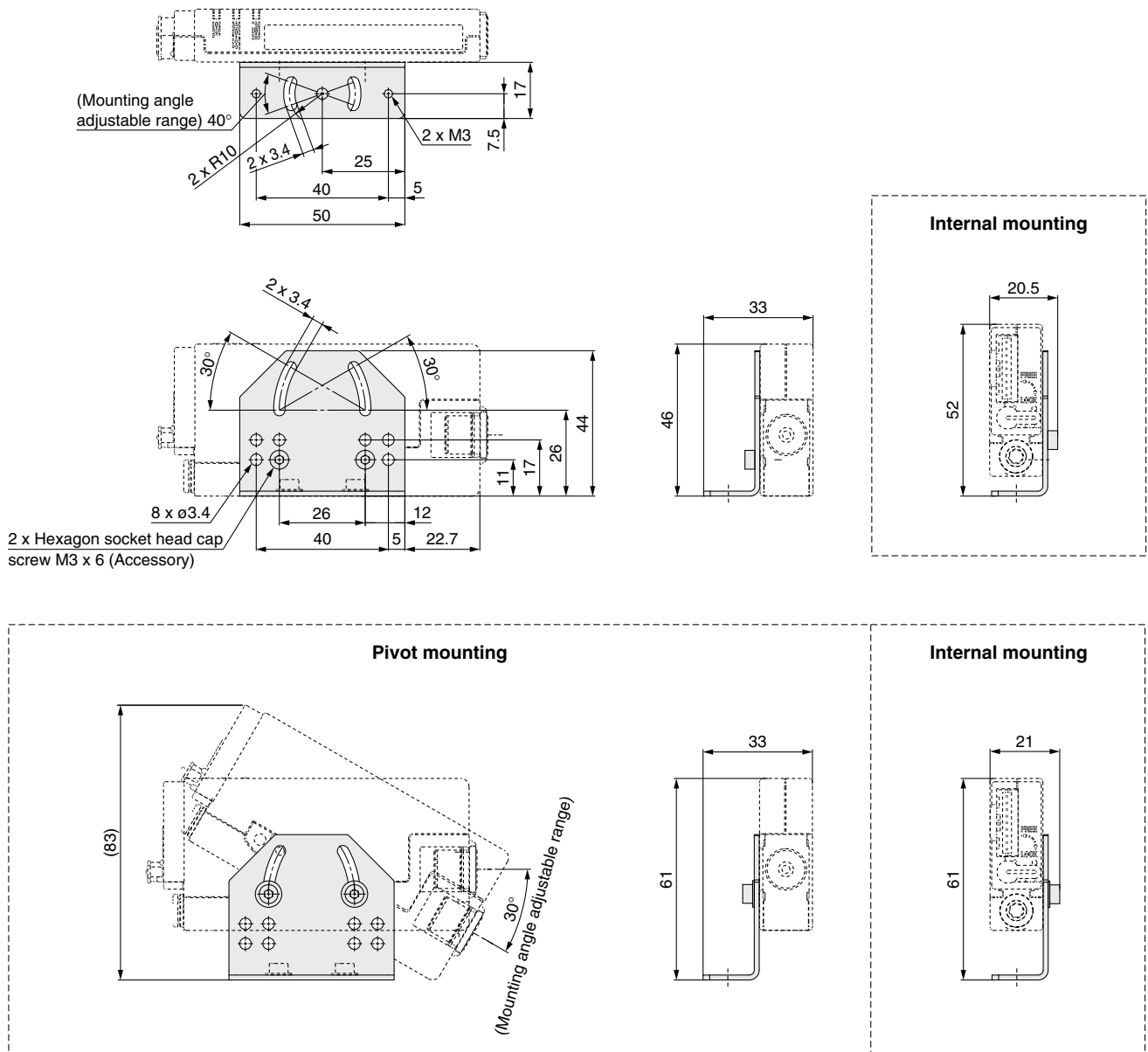
Model	d	B	C	D
IZN10E-□□ <sup>16</sup>	6	22	16	11.5
IZN10E-□□ <sup>17</sup>	1/4"	24.5	18.5	12

Female threads for piping (Rc1/8) IZN10E-11 □□

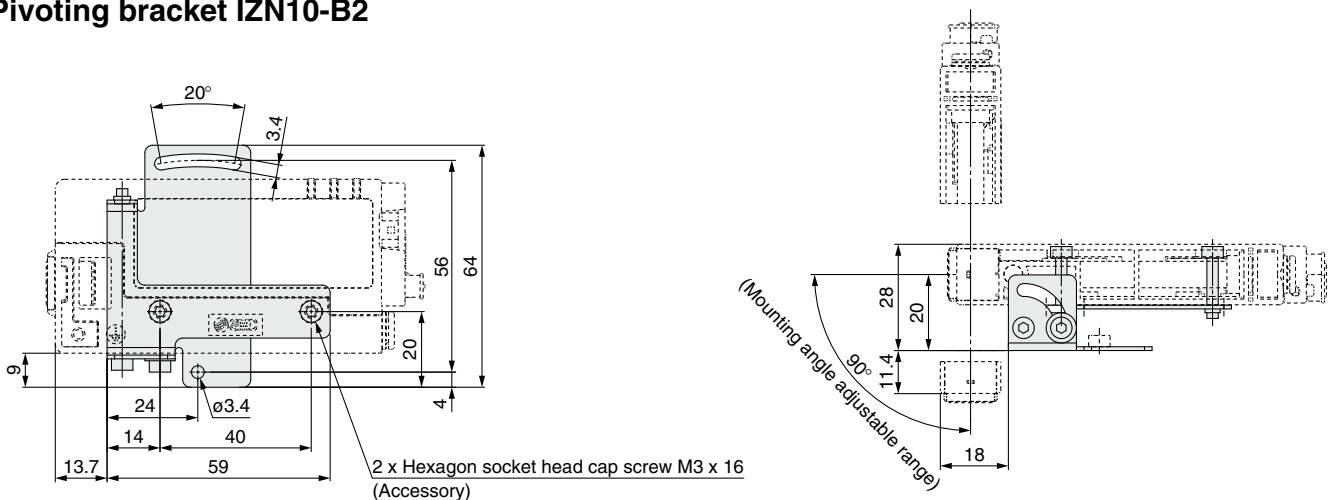


**Dimensions**

**L-bracket IZN10-B1**



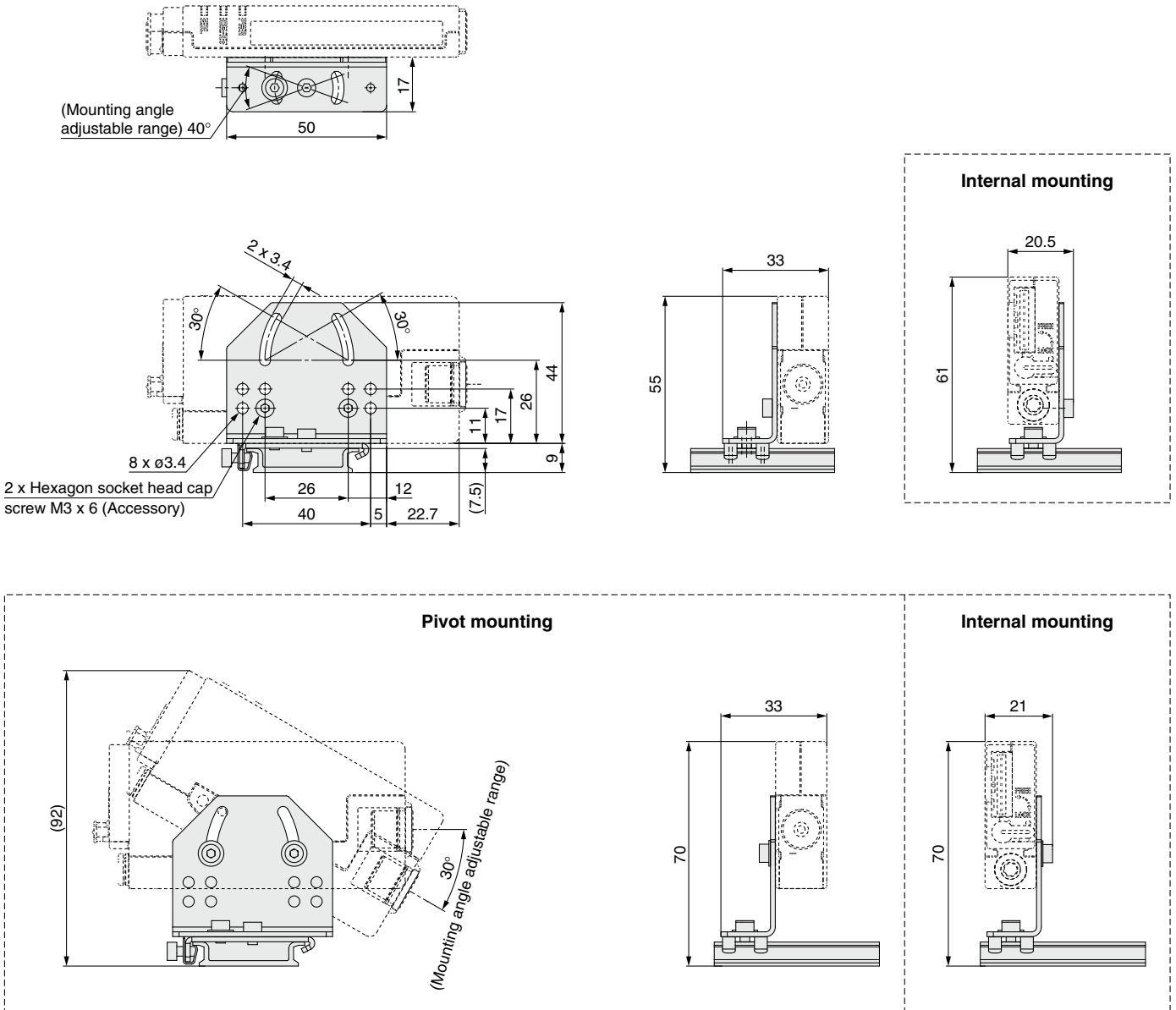
**Pivoting bracket IZN10-B2**



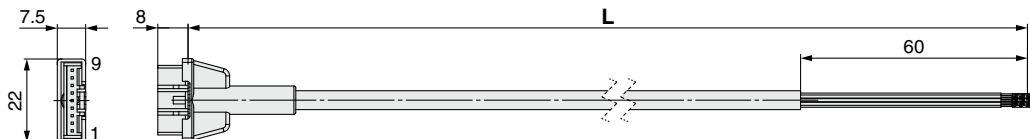
# IZN10E Series

## Dimensions

### DIN rail mounting bracket IZN10-B3



### Power supply cable IZN10E-CP□



Model	L [mm]
IZN10E-CP	3000
IZN10E-CPZ	9800

### Cable Specifications

No. of cable wire/Size		9 cores/AWG26
Conductor	Nominal cross section	0.15 mm <sup>2</sup>
	O.D.	0.5 mm
Insulator	O.D.	0.95 mm Brown, Blue, Orange, Pink, White, Purple, Yellow, Gray, Light blue
	Material	Lead-free PVC
Sheath	O.D.	5 mm

# IZN10E Series Related Product

This product is an individually applicable product. For details about the delivery time and price, please consult with SMC representative.



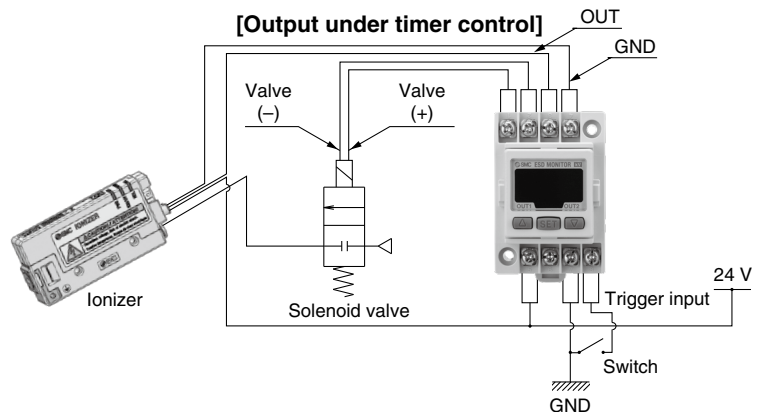
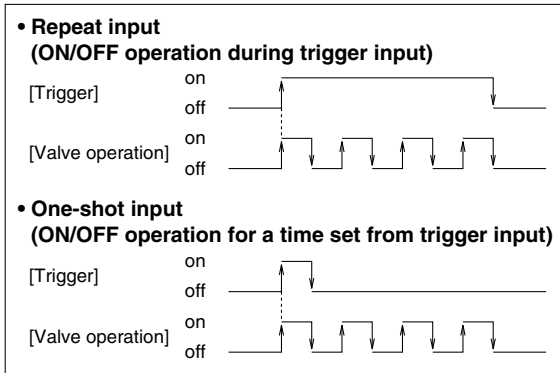
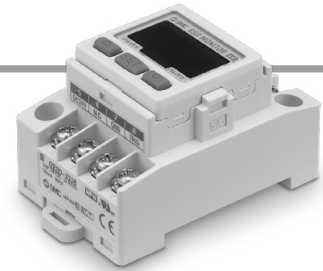
## Intermittent Control Timer (Made to Order)

### Air saving

A digital timer that can control ON/OFF switches of valves etc.

Application: Improved dust removal effect under low air consumption by intermittent ion blowing

- Adjustable frequency: 0.1 to 50.0 Hz
- Set individual ON and OFF times from 0.1 to 99.9 seconds
- Display of accumulated number of pulses  
It can be used for maintaining valve or cylinder operations.
- Switch output (Output under timer control)
- 2 types of trigger inputs



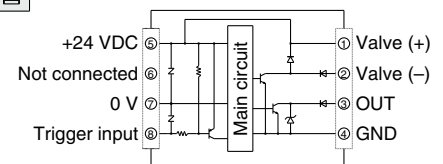
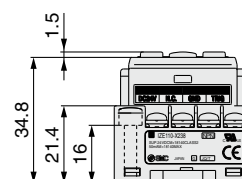
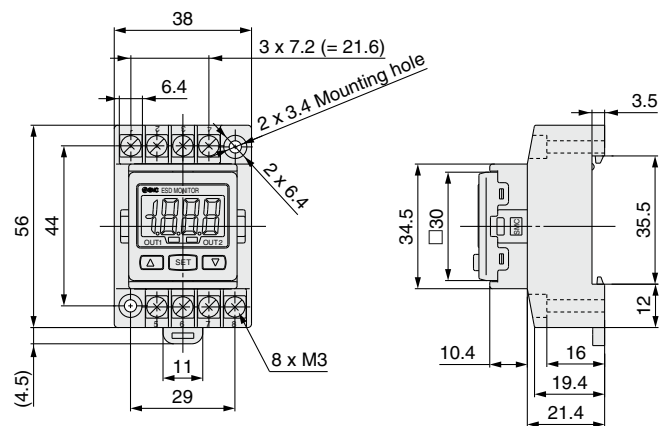
- Solenoid valves up to 24 VDC (4 W) etc. are controllable.

## Specifications

Model		IZE110-X238
Power supply voltage		24 VDC±10% (with power supply polarity protection)
Current consumption		50 mA or less (Single unit only)
Connection valve		24 VDC 4 W or less
OUT*1	Max. load current	80 mA
	Max. load voltage	30 VDC
	Residual voltage	1 V or less (At load current of 80 mA)
	Short circuit protection	With short circuit protection
Trigger input		No-voltage input, Low level input 10 ms or more, Low level 0.4 V or less
Indicator light		(Green/Red)
Environmental resistance	Enclosure	IP40
	Operating temperature range	Operating: 0 to 50°C, Stored: -10 to 60°C (with no freezing or condensation)
	Operating humidity range	Operating/Stored: 35 to 85% RH (with no condensation)
	Withstand voltage	1000 VAC for 1 minute between terminals and housing
	Insulation resistance	50 MΩ or more (500 VDC measured via megohmmeter), between terminals and housing
	Vibration resistance	10 to 150 Hz at whichever is smaller of 1.5 mm amplitude or 20 m/s <sup>2</sup> acceleration, in X, Y, Z direction for 2 hrs. each (De-energized)
Impact resistance	100 m/s <sup>2</sup> in X, Y, Z directions 3 times each (De-energized)	
Material		Front case: PBT, Rear case: Denaturated PPE
Weight		50 g

\*1 Do not use a load that generates surge voltage.

## Dimensions/Input/Output circuit



Input/Output circuit

# IZN10E Series

# Made to Order 1

This product is an individually applicable product. For details about the delivery time and price, please consult with SMC representative.



## How to Order

With right angles

IZN10E - 01 [ ] [ ] [ ] - [ ] - X367

Nozzle type

Symbol	Type
01	Energy saving static neutralization nozzle
02	High flow rate nozzle

Refer to the standard product number on page 10.

Nozzle with right angles



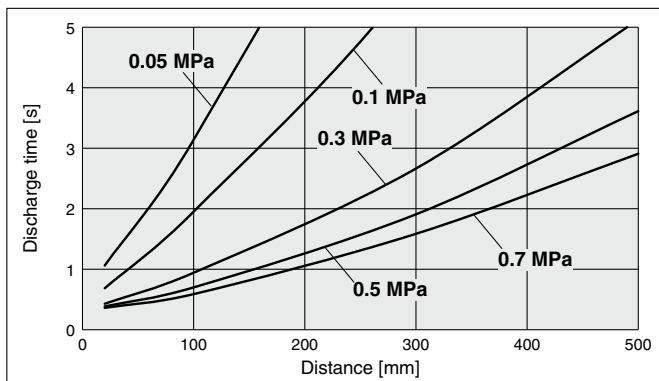
## Specifications (Specifications other than those shown below are the same as the standard product. Refer to page 11.)

Ionizer model		IZN10E-□-X367 (NPN specification)	IZN10E-□P-X367 (PNP specification)
Offset voltage*1	Energy saving static neutralization nozzle	Within ±10 V	
	High flow rate nozzle	Within ±30 V	

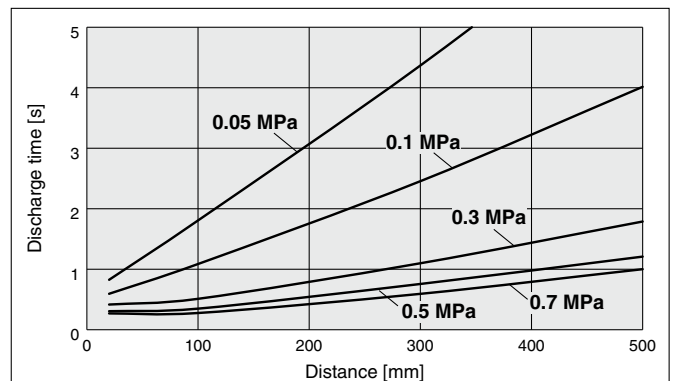
\*1 Measurement values based on a charged plate (dimensions: 150 mm x 150 mm, capacitance: 20 pF) defined by ANSI standard (ANSI/ESD STM3.1-2006). The distance between the charged plate and the ionizer: 100 mm, the air purge is 0.3 MPa (energy saving static neutralization nozzle) / 0.1 MPa (high flow rate nozzle).

## Static Neutralization Characteristics (Discharge Time from +1000 V to +100 V)

### ① Energy saving static neutralization nozzle IZN10E-01-X367



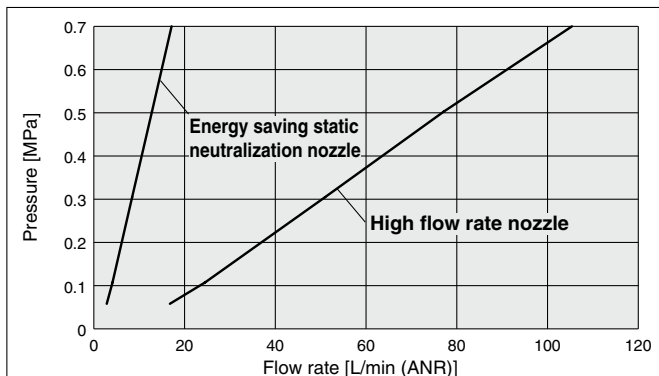
### ② High flow rate nozzle IZN10E-02-X367



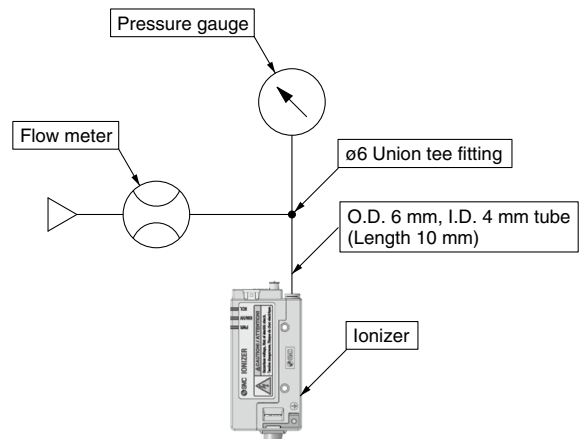
## Flow Rate Characteristics

### ① Energy saving static neutralization nozzle IZN10E-01-X367

### ② High flow rate nozzle IZN10E-02-X367



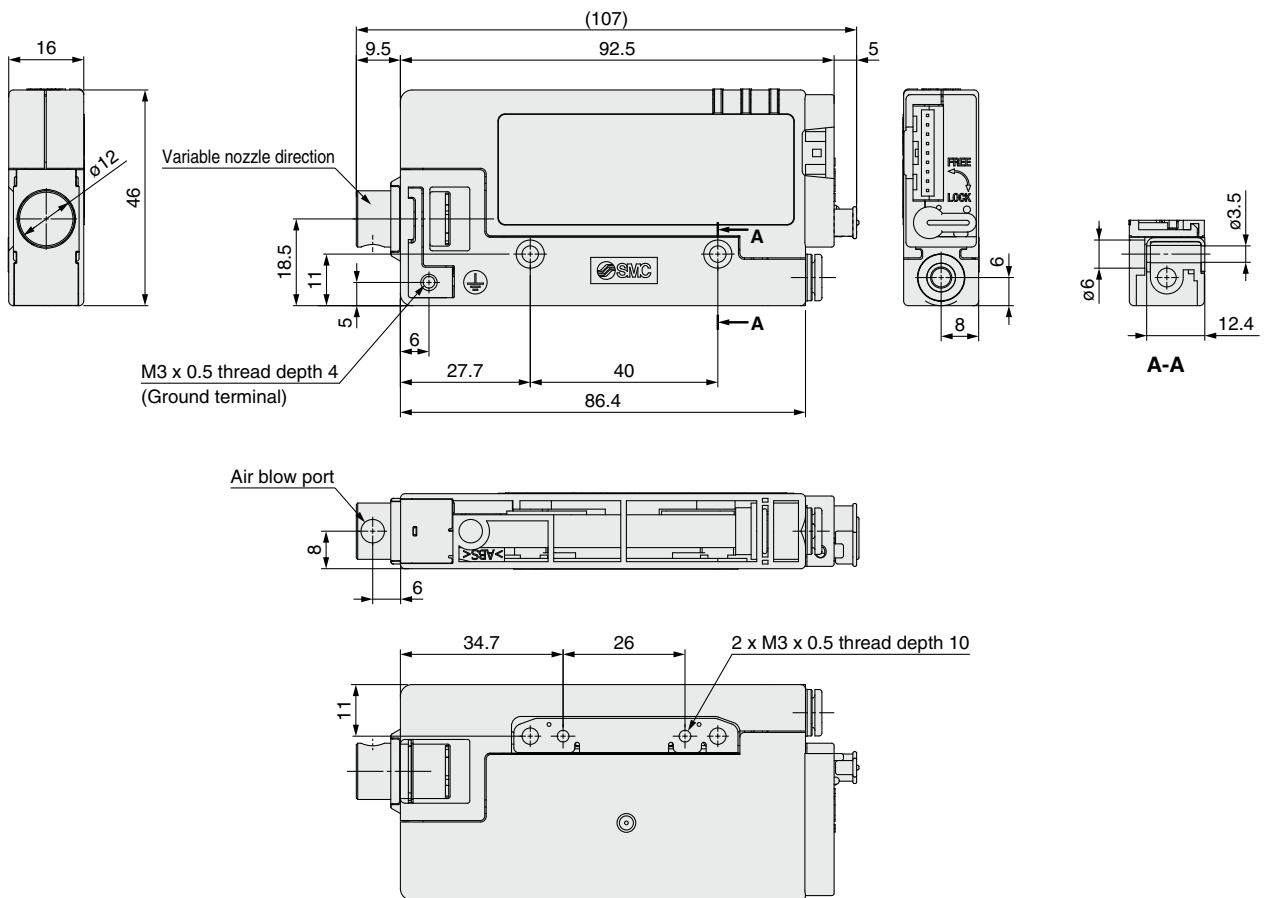
\* Static neutralization characteristics are based on data using a charged plate (dimensions: 150 mm x 150 mm, capacitance: 20 pF) as defined in the U.S. ANSI standards (ANSI/ESD STM3.1-2006). Use this as a guideline purpose only for model selection because the value varies depending on the material and/or size of a subject.



## Dimensions

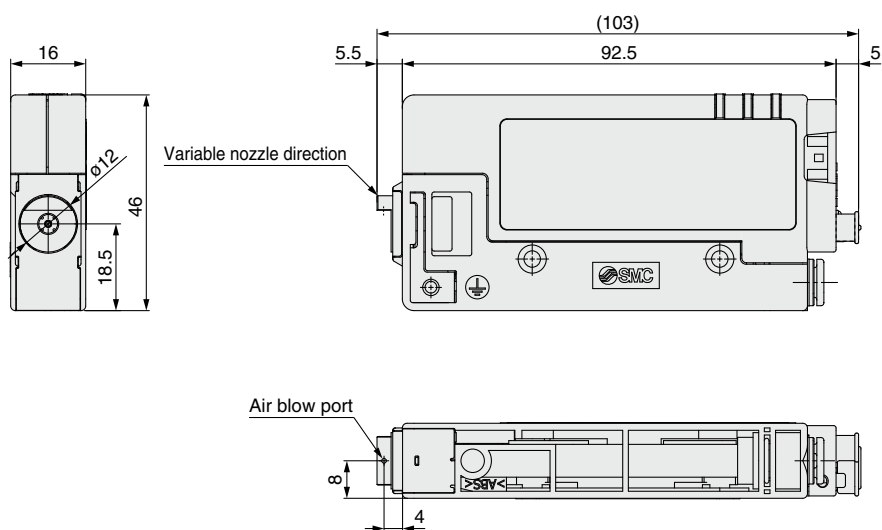
### Energy saving static neutralization nozzle

#### IZN10E-01-X367



### High flow rate nozzle

#### IZN10E-02-X367



# IZN10E Series

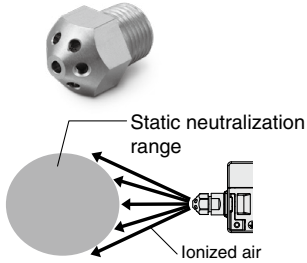
## Made to Order 2

This product is an individually applicable product. For details about the delivery time and price, please consult with SMC representative.



### Nozzle Variations

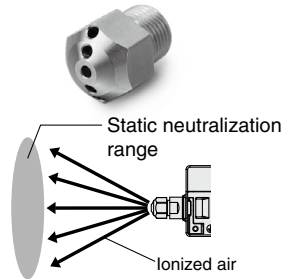
#### Circular diffusion nozzle



Part no.  
**IZN10-G-X198**

Supply pressure specifications:  
0.05 to 0.1 MPa

#### Flat diffusion nozzle



Part no.  
**IZN10-G-X199**

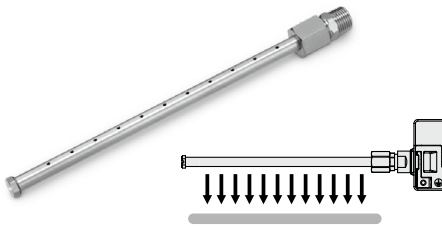
Supply pressure specifications:  
0.05 to 0.1 MPa

For the ionizer, please select the female threads for piping (Rc1/8). (Refer to How to Order on page 10.)



**IZN10E-11**

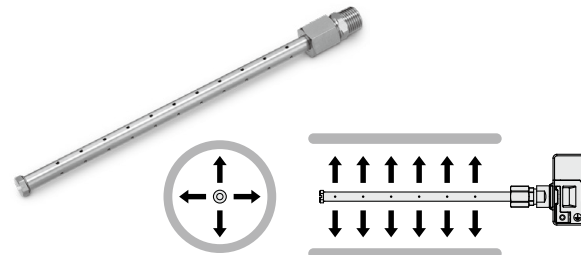
#### Bar nozzle (straight type)



Part no.	Bar length [mm]
<b>IZN10-G-100-X216</b>	100
<b>IZN10-G-200-X216</b>	200
<b>IZN10-G-300-X216</b>	300
<b>IZN10-G-400-X216</b>	400
<b>IZN10-G-500-X216</b>	500
<b>IZN10-G-600-X216</b>	600

Supply pressure specifications: 0.05 to 0.1 MPa

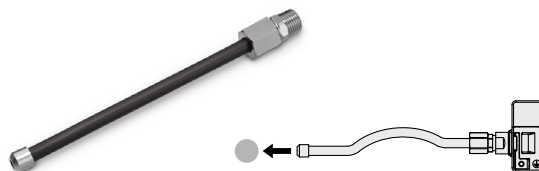
#### Circumferential jet bar nozzle (straight type)



Part no.	Bar length [mm]
<b>IZN10-G-X278</b>	150

Supply pressure specifications: 0.05 to 0.15 MPa

#### Bender tube nozzle

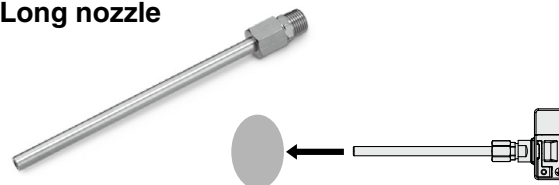


Part no.	Bar length [mm]
<b>IZN10-G-100-X205</b>	100
<b>IZN10-G-200-X205</b>	200
<b>IZN10-G-300-X205</b>	300
<b>IZN10-G-400-X205</b>	400
<b>IZN10-G-500-X205</b>	500
<b>IZN10-G-600-X205</b>	600

If the tubing is bent for use, maintain a minimum bending radius of 20 mm.

Supply pressure specifications: 0.05 to 0.15 MPa

#### Long nozzle



Part no.	Bar length [mm]
<b>IZN10-G-100-X226</b>	100
<b>IZN10-G-200-X226</b>	200
<b>IZN10-G-300-X226</b>	300
<b>IZN10-G-400-X226</b>	400
<b>IZN10-G-500-X226</b>	500
<b>IZN10-G-600-X226</b>	600

Supply pressure specifications: 0.05 to 0.15 MPa





# IZN10E Series

## Specific Product Precautions 1

Be sure to read this before handling the products. Refer to the back cover for safety instructions.

### Selection

#### Warning

- 1. This product is intended to be used with general factory automation (FA) equipment.**

If considering using the product for other applications (especially those stipulated in 4 on the back cover), please consult with SMC beforehand.

- 2. Use this product within the specified voltage and temperature range.**

Using outside of the specified voltage, temperature, or humidity range can cause a malfunction, damage, electrical shock, or fire.

- 3. Use clean compressed air as fluid.**

This product is not explosion proof. Never use a flammable gas or an explosive gas as a fluid and never use this product in the presence of such gases.

Please contact us when fluids other than compressed air are used.

- 4. This product is not explosion-protected.**

Never use this product in locations where the explosion of dust is likely to occur or flammable or explosive gases are used. This can cause a fire.

#### Caution

- 1. This product is not washed. When bringing into a clean room, flush for several minutes and confirm the required cleanliness before use.**

### Mounting

#### Warning

- 1. Reserve enough space for maintenance, piping and wiring.**

Please take into consideration that the One-touch fittings for supplying air, need enough space for the air tubing to be easily attached/detached.

To avoid excessive stress on the connector and One-touch fitting, please take into consideration the cable and air tube minimum bending radius and avoid bending at acute angles.

Wiring with excessive twisting, bending, etc. can cause a malfunction, wire breakage, fire, or air leakage.

Minimum bending radius: Power supply cable.....30 mm

(Note: Shown above is wiring with the fixed minimum allowable bending radius and at a temperature of 20°C. If used under this temperature, the connector can receive excessive stress even though the minimum bending radius is allowable.)

Regarding the minimum bending radius of the air tubing, refer to the operation manual or catalog for tubing.

- 2. When installing the product directly on a mounting surface, mount it on a flat surface.**

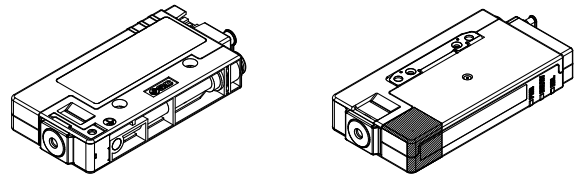
Mounting on an uneven surface will apply excess force to the ionizer body, which leads to damage or failure. Do not drop the product or subject it to a strong impact. This may cause an injury or accident.

### Mounting

#### Warning

- 3. Keep the area specified clear when the product is mounted directly on to a mounting surface or work-piece which is connected to ground.**

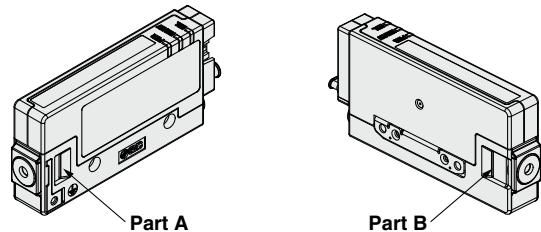
Install the product with the mounting surface or workpiece avoiding the shaded area in the drawing below. If the grounded mounting surface or workpiece is too close to the shaded area, the ozone concentration inside the product may increase, causing failure of the product, depending on the operating conditions.



\* Refer to the Dimensions (page 17) for dimensions of the shaded area.

- 4. Do not cover the external air intake port of the energy saving static neutralization nozzle.**

The energy saving static neutralization nozzle uses external air. The external air intake port is located in part A and part B. When installing an energy saving static neutralization nozzle, do not cover the two external air intake ports. If the external air flow is blocked, product performance will be reduced.



- 5. Avoid using in a place where noise (electromagnetic wave and surge) is generated.**

If the product is used in an environment where noise is generated, it may lead to a malfunction and deterioration or damage of the internal elements. Take measures to prevent noise at its source and avoid power and signal lines from coming into close contact.

- 6. Use the correct tightening torque. Refer to the table below for tightening torque for screws.**

If the screws are tightened in excess of the specified torque range, it may damage the mounting screws, mounting brackets, etc. If the tightening torque is insufficient, the mounting screws and brackets may become loose.

Thread size	Recommended tightening torque
M3	0.61 to 0.63 N·m



## IZN10E Series

# Specific Product Precautions 2

Be sure to read this before handling the products. Refer to the back cover for safety instructions.

### Mounting

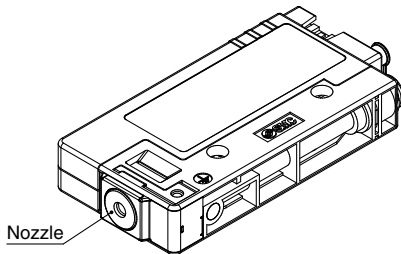
#### ⚠ Warning

##### 7. Do not allow foreign matter or tools to enter the nozzle.

The inside of the nozzle contains emitters. If a metal tool makes contact with the emitters, it can cause electric shock, resulting in a sudden movement by the operator that can cause further injuries such as hitting the body on peripheral equipment. Also, if the tool damages the emitter, the ionizer may fail or cause an accident.

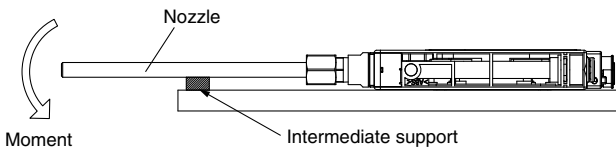
#### ⚡ Danger High Voltage!

Emitters are under high voltage. Never touch them as there is a danger of electric shock or injury due to an evasive action against a momentary electrical shock caused by inserting foreign matter in the cartridge or touching the emitter.



##### 8. Do not apply moment to the nozzle.

A moment force may be applied to the nozzle depending on the shape of the nozzle attached to the female piping thread. It is possible that the nozzle or ionizer body will be damaged if vibration occurs. If a moment of 0.05 N·m or more will be applied, mount a support to the middle part of the nozzle so that the moment is not applied to the nozzle.



##### 9. Do not apply tape or stickers to the product body.

If a tape or seal contains any conductive adhesive or reflective paint, a dielectric phenomenon may occur due to the generated ions, resulting in electrostatic charge or electric leakage.

##### 10. Ensure the power supply is removed before installing and adjusting the product.

### Wiring/Piping

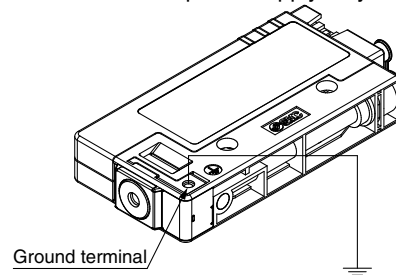
#### ⚠ Warning

##### 1. Before wiring, ensure that the power supply capacity is enough and that the voltage is within the specification.

##### 2. To maintain product performance, the power supply shall be UL listed Class 2 certified by National Electric Code (NEC) or evaluated as a limited power source provided by UL60950.

##### 3. Be sure to ground with a ground resistance of 100 Ω or less to maintain the product performance.

If such grounding is not provided, not only may static electricity removal capability be disrupted but electric shocks may also result and the ionizer or power supply may break down.



##### 4. Wiring (including insertion and removal of the connector) should never be carried out with the power supply ON.

##### 5. Ensure the safety of wiring and surrounding conditions before supplying power.

##### 6. Do not connect or disconnect the connectors (including power source) while the power is supplied. Failure to follow this procedure may cause product malfunction.

##### 7. If the ionizer wiring and high power lines are routed together, this product may malfunction due to noise. Therefore, use a separate wiring route for this product.

##### 8. Confirm that the wiring is correct before operation.

Incorrect wiring will lead to product damage or malfunction.

##### 9. Flush the piping before connecting.

Before using this product, exercise caution to prevent particles, water drop, or oil from entering the piping.

### Operating Environment/Storage Environment

#### ⚠ Warning

##### 1. Do not use this product in an enclosed space.

This product utilizes a corona discharge phenomenon. Do not use the product in an enclosed space as ozone and nitrogen oxides exist in such places, even though in marginal quantities.

Also, ozone condensation can increase if used in an enclosed space, which can affect the human body, so ventilation is necessary. Even if ventilation is secured, the use of two more ionizers in a narrow space can increase ozone condensation. Therefore, check that ozone condensation is not more than a standard value of 0.1 ppm in the operating environment while the ionizer is in operation.



## IZN10E Series

# Specific Product Precautions 3

Be sure to read this before handling the products. Refer to the back cover for safety instructions.

### Operating Environment/Storage Environment

#### Warning

##### 2. Take preventative measures against ozone.

Equipment used around this product should have ozone-prevention measures.

Also, regularly check that there is no deterioration due to ozone.

##### 3. Be sure to supply air.

If air is not supplied, not only is the static neutralization effected, but also the ozone and nitrogen oxides generated in the ion generator accumulates, which causes an adverse effect on the inside of the product, or peripheral equipment. Be sure to supply air during a discharge.

When the product is used for intermittent ion blow, pressure fluctuations in the air supply can cause instability in the corona discharge of the ion generation, resulting in difficulty maintaining the offset voltage specification. Be sure to confirm that there are no problems with the static neutralization.

##### 4. Observe the ambient temperature range.

The ambient temperature range is 0 to 55°C for the ionizer. Do not use the product in locations where the ambient temperature changes suddenly even within the specifications or if the temperature difference of the fluid relative to the ambient temperature is large condensation may occur.

##### 5. Environments to avoid

Avoid using and storing this product in the following environments since they may cause damage to this product.

- Where the ambient temperature exceeds the range of 0 to 55°C.
- Where the ambient humidity exceeds the range of 35 to 65% Rh.
- Areas where abrupt temperature changes may cause condensation.
- Areas where corrosive gas, flammable gas or other volatile flammable substances are stored.
- Areas where the product may be exposed to conductive powder such as iron powder or dust, oil mist, salt, organic solvent, machining chips, particles or cutting oil (including water and any liquids), etc.
- Paths of direct air flow, such as air conditioners.
- Enclosed or poorly ventilated areas.
- Locations that are exposed to direct sunlight or heat radiation.
- Areas where strong electromagnetic noise is generated, such as strong electrical and magnetic fields or supply voltage spikes.
- Areas where the product is exposed to static electricity discharge.
- Locations where strong high frequency is generated.
- Locations that are subject to potential lightning strikes.
- In an area where the product may receive direct impact or vibration.
- Areas where the product may be subjected to forces or weight that could cause physical deformation.

##### 6. Do not use an air containing mist or dust.

The air containing mist or dust will cause the performance to decrease and shorten the maintenance cycle.

Supply clean compressed air (compressed air quality of Class 2.4.3, 2.5.3, 2.6.3 or higher according to ISO 8573-1: 2010 (JIS B 8392-1: 2012) is recommended for operation) by using an air dryer (IDF series), air filter (AF/AFF series), and mist separator (AFM/AM series).

##### 7. This product does not incorporate protection against lightning surges.

### Maintenance

#### Warning

##### 1. Perform maintenance regularly and clean the emitters.

Check regularly if the product is operating with undetected failures or not. The maintenance must be performed by an operator who has sufficient knowledge and experience. If the product is used for an extended period with dust present on the emitters, the static neutralization performance will be reduced. Since the energy saving static neutralization nozzle is equipped with an ambient air introduction mechanism, it is easier to be affected by the ambient air compared with the high flow rate nozzle or the female threads for piping, and dust tends to adhere to the emitter more quickly. Clean the emitter when the maintenance LED turns ON.

If the emitter becomes worn and the static neutralization performance is not restored after cleaning, replace the emitter.

#### Danger High Voltage!

This product contains a high-voltage generation circuit. When performing maintenance inspection, be sure to confirm that the power supply to the ionizer is turned off. Never disassemble or modify the ionizer, as this may not only impair the product's functionality but could cause an electric shock or electric leakage.

##### 2. The tube and fitting must be treated as consumable parts.

The tube and fitting that are connected to the female piping ports can deteriorate due to ozone and need to be replaced regularly or use an ozone-resistant type.

##### 3. Cleaning the emitter or replacing the cartridge assembly should never be performed while the power and compressed air is supplied to the product.

Touching an emitter when it is electrified may result in electric shock or other accidents.

If the cartridge assembly is removed while compressed air is supplied, the cartridge assembly will shoot out.

If cartridge assemblies are not securely installed, there is a danger that they may shoot out or fall when compressed air is supplied.

##### 4. Do not disassemble or modify the product.

Otherwise, an electrical shock, damage and/or a fire may occur. Also, the disassembled or modified products may not achieve the performances guaranteed in the specifications, and exercise caution because the product will not be warrantied.

##### 5. Do not operate the product with wet hands.

Otherwise, an electric shock or accident may occur.

### Handling

#### Warning


##### 1. Do not drop, hit or apply excessive shock (100 m/s<sup>2</sup> or more) to the product when handling it.


Even if the product appears undamaged, the internal components may be damaged, leading to a malfunction.


##### 2. When mounting/dismounting the cable, use your finger to pinch the claw of the connector, then attach/detach it correctly. Otherwise, connector mounting section may be damaged and cause a disorder.

## Safety Instructions

These safety instructions are intended to prevent hazardous situations and/or equipment damage. These instructions indicate the level of potential hazard with the labels of “**Caution**,” “**Warning**” or “**Danger**.” They are all important notes for safety and must be followed in addition to International Standards (ISO/IEC)\*1), and other safety regulations.

 **Caution:** **Caution** indicates a hazard with a low level of risk which, if not avoided, could result in minor or moderate injury.

 **Warning:** **Warning** indicates a hazard with a medium level of risk which, if not avoided, could result in death or serious injury.

 **Danger:** **Danger** indicates a hazard with a high level of risk which, if not avoided, will result in death or serious injury.

\*1) ISO 4414: Pneumatic fluid power – General rules relating to systems.  
ISO 4413: Hydraulic fluid power – General rules relating to systems.  
IEC 60204-1: Safety of machinery – Electrical equipment of machines.  
(Part 1: General requirements)  
ISO 10218-1: Manipulating industrial robots – Safety.  
etc.

### Warning

#### 1. The compatibility of the product is the responsibility of the person who designs the equipment or decides its specifications.

Since the product specified here is used under various operating conditions, its compatibility with specific equipment must be decided by the person who designs the equipment or decides its specifications based on necessary analysis and test results. The expected performance and safety assurance of the equipment will be the responsibility of the person who has determined its compatibility with the product. This person should also continuously review all specifications of the product referring to its latest catalog information, with a view to giving due consideration to any possibility of equipment failure when configuring the equipment.

#### 2. Only personnel with appropriate training should operate machinery and equipment.

The product specified here may become unsafe if handled incorrectly. The assembly, operation and maintenance of machines or equipment including our products must be performed by an operator who is appropriately trained and experienced.

#### 3. Do not service or attempt to remove product and machinery/equipment until safety is confirmed.

1. The inspection and maintenance of machinery/equipment should only be performed after measures to prevent falling or runaway of the driven objects have been confirmed.
2. When the product is to be removed, confirm that the safety measures as mentioned above are implemented and the power from any appropriate source is cut, and read and understand the specific product precautions of all relevant products carefully.
3. Before machinery/equipment is restarted, take measures to prevent unexpected operation and malfunction.

#### 4. Contact SMC beforehand and take special consideration of safety measures if the product is to be used in any of the following conditions.

1. Conditions and environments outside of the given specifications, or use outdoors or in a place exposed to direct sunlight.
2. Installation on equipment in conjunction with atomic energy, railways, air navigation, space, shipping, vehicles, military, medical treatment, combustion and recreation, or equipment in contact with food and beverages, emergency stop circuits, clutch and brake circuits in press applications, safety equipment or other applications unsuitable for the standard specifications described in the product catalog.
3. An application which could have negative effects on people, property, or animals requiring special safety analysis.
4. Use in an interlock circuit, which requires the provision of double interlock for possible failure by using a mechanical protective function, and periodical checks to confirm proper operation.

### Caution

#### 1. The product is provided for use in manufacturing industries.

The product herein described is basically provided for peaceful use in manufacturing industries.  
If considering using the product in other industries, consult SMC beforehand and exchange specifications or a contract if necessary.  
If anything is unclear, contact your nearest sales branch.

### Limited warranty and Disclaimer/ Compliance Requirements

The product used is subject to the following “Limited warranty and Disclaimer” and “Compliance Requirements”.

Read and accept them before using the product.

#### Limited warranty and Disclaimer

1. The warranty period of the product is 1 year in service or 1.5 years after the product is delivered, whichever is first.\*2)  
Also, the product may have specified durability, running distance or replacement parts. Please consult your nearest sales branch.
2. For any failure or damage reported within the warranty period which is clearly our responsibility, a replacement product or necessary parts will be provided.  
This limited warranty applies only to our product independently, and not to any other damage incurred due to the failure of the product.
3. Prior to using SMC products, please read and understand the warranty terms and disclaimers noted in the specified catalog for the particular products.

##### \*2) Vacuum pads are excluded from this 1 year warranty.

A vacuum pad is a consumable part, so it is warranted for a year after it is delivered.  
Also, even within the warranty period, the wear of a product due to the use of the vacuum pad or failure due to the deterioration of rubber material are not covered by the limited warranty.

#### Compliance Requirements

1. The use of SMC products with production equipment for the manufacture of weapons of mass destruction (WMD) or any other weapon is strictly prohibited.
2. The exports of SMC products or technology from one country to another are governed by the relevant security laws and regulations of the countries involved in the transaction. Prior to the shipment of a SMC product to another country, assure that all local rules governing that export are known and followed.

### Caution

#### SMC products are not intended for use as instruments for legal metrology.

Measurement instruments that SMC manufactures or sells have not been qualified by type approval tests relevant to the metrology (measurement) laws of each country. Therefore, SMC products cannot be used for business or certification ordained by the metrology (measurement) laws of each country.

## Safety Instructions

Be sure to read the “Handling Precautions for SMC Products” (M-E03-3) and “Operation Manual” before use.