

## Before Use

### Wireless Adaptor EXW1-A11N-X1



Thank you for purchasing an SMC Wireless Adaptor.  
Please read this manual carefully before operating the product and make sure you understand its capabilities and limitations. Please keep this manual handy for future reference.

To obtain the operation manual about this product,  
please refer to the SMC website  
(URL <https://www.smcworld.com>) or contact SMC directly.

## Safety Instructions

These safety instructions are intended to prevent hazardous situations and/or equipment damage.  
These instructions indicate the level of potential hazard with the labels of "Caution," "Warning" or "Danger." They are all important notes for safety and must be followed in addition to International Standards (ISO/IEC) <sup>(1)</sup>, and other safety regulations.

	<b>Caution:</b> CAUTION indicates a hazard with a low level of risk which, if not avoided, could result in minor or moderate injury.
	<b>Warning:</b> WARNING indicates a hazard with a medium level of risk which, if not avoided, could result in death or serious injury.
	<b>Danger:</b> DANGER indicates a hazard with a high level of risk which, if not avoided, will result in death or serious injury.

## Operator

- ◆ This operation manual is intended for those who have knowledge of machinery using pneumatic equipment, and have sufficient knowledge of assembly, operation and maintenance of such equipment. Only those persons are allowed to perform assembly, operation and maintenance.
- ◆ Read and understand the operation manual carefully before assembling, operating or providing maintenance to the product.

## Safety Instructions

Warning
<ul style="list-style-type: none"> <li>■ Do not disassemble, modify (including changing the printed circuit board) or repair. An injury or failure can result.</li> <li>■ Do not operate or set with wet hands. This may lead to an electric shock.</li> <li>■ Do not operate the product outside of the specifications. Do not use for flammable or harmful fluids. Fire, malfunction, or damage to the product can result. Verify the specifications before use.</li> <li>■ Do not operate in an atmosphere containing flammable or explosive gases. Fire or an explosion can result. This product is not designed to be explosion proof.</li> <li>■ If using the product in an interlocking circuit: <ul style="list-style-type: none"> <li>- Provide a double interlocking system, for example a mechanical system.</li> <li>- Check the product regularly for proper operation.</li> </ul> Otherwise malfunction can result, causing an accident.</li> <li>■ The following instructions must be followed during maintenance: <ul style="list-style-type: none"> <li>- Turn off the power supply.</li> <li>- Stop the air supply, exhaust the residual pressure and verify that the air is released before performing maintenance.</li> </ul> Otherwise an injury can result.</li> </ul>
Caution
<ul style="list-style-type: none"> <li>■ When handling the unit or assembling/replacing units: <ul style="list-style-type: none"> <li>- Do not touch the sharp metal parts of the connector or plug for connecting units.</li> <li>- Take care not to hit your hand when disassembling the unit.</li> </ul> The connecting portions of the unit are firmly joined with seals.</li> <li>- When joining units, take care not to get fingers caught between units. An injury can result.</li> <li>■ After maintenance is complete, perform appropriate functional inspections. Stop operation if the equipment does not function properly. Safety cannot be assured in the case of unexpected malfunction.</li> <li>■ Provide grounding to assure noise resistance of the product. Individual grounding should be provided close to the product with a short cable.</li> </ul>

Caution
<p>Notice: Changes or modifications not expressly approved by the manufacturer could void the user's authority to operate the equipment.</p>

## Limited warranty and Disclaimer

1. The warranty period of the product is 1 year in service or 1.5 years after the product is delivered, whichever is first. Also, the product may have specified durability, running distance or replacement parts. Please consult your nearest sales branch.
2. For any failure or damage reported within the warranty period which is clearly our responsibility, a replacement product or necessary parts will be provided. This limited warranty applies only to our product independently, and not to any other damage incurred due to the failure of the product.
3. Prior to using SMC products, please read and understand the warranty terms and disclaimers noted in the specified catalog for the particular products.

### <Important>

- The product is certified as wireless equipment in accordance with the Radio Act and the certification of construction type has been obtained. Customers do not need to apply for a license to use this equipment. Be sure to comply with the following precautions.
  - Do not disassemble or modify the product. Disassembly and modification are prohibited by law.
  - This product is compliant with the Radio Act in this manual. For use in other countries, please consult SMC. For the latest information, refer to the catalog on the website below.  
URL <https://www.smcworld.com>
- This product communicates using radio waves, and the communication may be temporarily interrupted due to the ambient environments and operating methods. SMC will not be responsible for any secondary failure which may cause an accident or cause damage to other devices or equipment.
- When several units are installed close to each other, slight interference may occur due to the characteristics of the wireless product.
- Radio waves emitted by this product may adversely affect implantable medical devices such as implantable cardiac pacemakers and brillators. For precautions regarding the use of equipment or devices that may adversely affect performance, refer to the catalog or instruction manuals for the equipment or devices, or contact the manufacturers directly.
- The communication performance is affected by the ambient environment, so please perform communication testing before use.

### Caution

This device complies with Part 15 of the FCC Rules. Operation is subject to the following two conditions: (1) this device may not cause harmful interference, and (2) this device must accept any interference received, including interference that may cause undesired operation.

This equipment must be installed and operated in accordance with provided instructions and the antenna(s) used for this transmitter must be installed to provide a separation distance of at least 20 cm from all persons and must not be

co-located or operating in conjunction with any other antenna or transmitter. End-users and installers must be provide with antenna installation instructions and transmitter operating conditions for satisfying RF exposure compliance.

CAUTION:  
Any changes or modifications not expressly approved by the grantee of this device could void the user's authority to operate the equipment.  
FCC ID : 2AJE7SMC-WEX08

This device contains licence-exempt transmitter(s)/receiver(s) that comply with Innovation, Science and Economic Development Canada's licence-exempt RSS(s). Operation is subject to the following two conditions:  
(1) This device may not cause interference.  
(2) This device must accept any interference, including interference that may cause undesired operation of the device.

The radiated output power of the Wireless Device is below the Innovation, Science and Economic Development Canada radio frequency exposure limits. The Wireless Device should be used in such a manner such that the potential for human contact during normal operation is minimized.  
This device has also been evaluated and shown compliant with the IC RF Exposure limits under mobile exposure conditions. (antennas are greater than 20cm from a person's body).

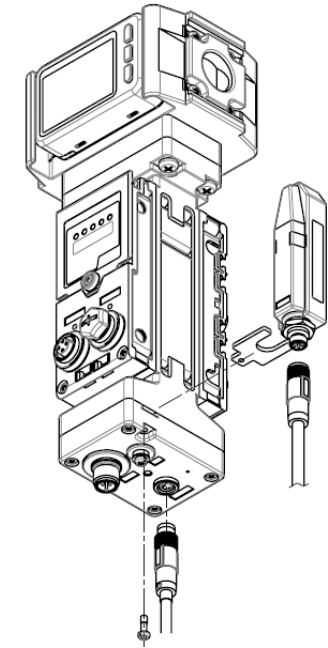
L'émetteur/récepteur exempt de licence contenu dans le présent appareil est conforme aux CNR d'Innovation, Sciences et Développement économique Canada applicables aux appareils radio exempts de licence. L'exploitation est autorisée aux deux conditions suivantes :  
1) L'appareil ne doit pas produire de brouillage;  
2) L'appareil doit accepter tout brouillage radioélectrique subi, même si le brouillage est susceptible d'en compromettre le fonctionnement.

La puissance de sortie émise par l'appareil de sans fil est inférieure à la limite d'exposition aux fréquences radio d'Innovation, Sciences et Développement économique Canada. Utilisez l'appareil de sans fil de façon à minimiser les contacts humains lors du fonctionnement normal.  
Ce périphérique a également été évalué et démontré conforme aux limites d'exposition aux RF d'IC dans des conditions d'exposition à des appareils mobiles (antennes sont supérieures à 20 cm à partir du corps d'une personne).

## Installation

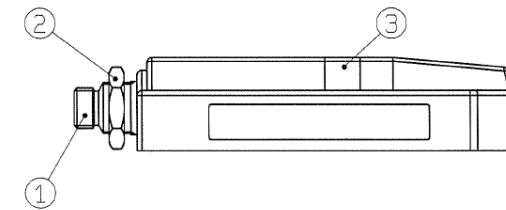
### ■ Mounting

Mount the wireless adaptor bracket to the Air Management Hub using the screw attached to the Air Management Hub. (Recommended torque: 0.3 ±10% N·m). Then attach the cable EXW1-AC1-X1 to the wireless adaptor and Air Management Hub.



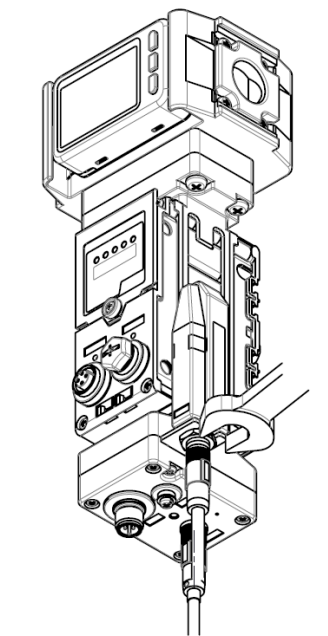
## Name and Function of parts

### • Wireless Adaptor



No.	Item	Description
1	Connector	M8 connector for cable to Air Management Hub
2	Nut	For fixing to Air Management Hub
3	LED display	Indicates the status of the adaptor.

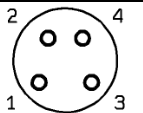
Mount the adaptor to the bracket of the Air Management Hub using the M10 nut already installed to the wireless adaptor (Recommended torque: 0.9 ±10% N·m).



- The EXW1-AC1-X1 which is the optional cable should be used for connection to the Air Management Hub. Please use cables specifically designed for the Wireless Adaptor.

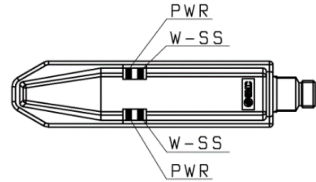
## ■Connector

### • Connector pin No.

No.	Signal	M8, 4-pin, plug	
		A-coded	
1	24 V (US1)	2	4
2	Internal Bus B		
3	0 V (US1)		
4	Internal Bus A		

## LED Display

- The LED indicators on the wireless adaptor indicate the power supply, communication and diagnostic status.



LED	LED Colour	Operation
PWR	Green LED ON	US1 (for control) power supply is ON
	Orange LED flashing	Internal Bus error is detected.
	Red LED ON	Unrecoverable error is detected.
	OFF	US1 (for control) power supply is OFF
W-SS	Green LED ON	The level of received radio wave power is 3.
	Green LED flashing (1 Hz)	The level of received radio wave power is 2.
	Green LED flashing (2 Hz)	The level of received radio wave power is 1.
	Orange LED flashing	No Remotes are connected.
	OFF	Air Management Hub is not registered.

## Specifications

Refer to the product catalog or SMC website (URL <https://www.smcworld.com>) to obtain more detailed information about product specifications.

## Outline Dimensions

Refer to the product catalog or SMC website (URL <https://www.smcworld.com>) to obtain more detailed information about outline dimensions.

## Maintenance

- Maintenance should be performed according to the Safety Instructions.
- Perform regular maintenance and inspections.

There is a risk of unexpected malfunction.

- Do not use solvents such as benzene, thinner etc. to clean each unit.

They could damage the surface of the body and erase the markings on the body. Use a soft cloth to remove stains.

For heavy stains, use a cloth soaked with diluted neutral detergent and fully squeezed, then wipe up the stains again with a dry cloth.

Refer to the SMC website (URL <https://www.smcworld.com>) to obtain more detailed information about maintenance.

## Troubleshooting

Refer to the LED Display. Refer to the SMC website

(URL <https://www.smcworld.com>) to obtain more detailed information about troubleshooting.

## Diagnostic

Refer to the SMC website (URL <https://www.smcworld.com>) to obtain more detailed information about diagnostic.

## Certified countries

### Certificate EXW1-A1



Refer to the SMC website (URL <https://www.smcworld.com>) to obtain the latest information.

## Contacts

AUSTRIA (43) 2262 62 280  
Girakstrasse 8, AT-2100 Korneuburg, Austria

BELGIUM (32) 03 355 1464  
Temesselei 232, 2160 Wommelgem, Belgium

BULGARIA (359) 2 9744492  
Business Park Sofia, Building 8c, 6th floor, BG-1766 Sofia, Bulgaria

CROATIA (385) 1 370 72 88  
Zagrebačka Avenija 104, HR-10000 Zagreb, Croatia

CZECH REP. (420) 5 414 24611  
Hudcova 78a, CZ-61200 Brno, Czech Republic

DENMARK (45) 70252900  
Egeskovvej 1, DK-8700 Horsens, Denmark

ESTONIA (372) 651 0370  
Laki 12, EE-10621 Tallinn, Estonia

FINLAND (358) 207 513513  
PB72, 02231, Espoo, Finland

FRANCE (33) 1 6476 1000  
1, Boulevard de Strasbourg, Parc Gustave Eiffel Bussy Saint Georges F-77607  
Marne La Vallee Cedex 3, France

GERMANY (49) 6103 402 0  
Boschring 13-15, 63329 Egelsbach, Germany

GREECE (30) 210 271 7265  
Anagenniseos 7-9-P.C. 14342 N. Philadelphia, Athens, Greece

HUNGARY (36) 23 513 000  
Torbágy u. 15-19, 2045 Törökbálint, Hungary

IRELAND (353) 1 403 9000  
2002 Citywest Road, Citywest Business Campus, Citywest, Dublin 24, Ireland

ITALY (39) 02 92711  
Via Garibaldi 62, 20061 Carugate, (Milano), Italy

LATVIA (371) 781 77 00  
Dzelzavas str. 120g, Riga, LV-1021, Latvia

LITHUANIA (370) 5 264 81 26  
Oslo g. 1, LT-04123 Vilnius, Lithuania

NETHERLANDS (31) 020 5318888  
De Ruyterkade 120, NL-1011 AB Amsterdam, the Netherlands

NORWAY (47) 67 12 90 20  
Vollsveien 13 C, Granfos Næringspark N-1366 Lysaker, Norway

POLAND (48) 22 211 96 00  
ul. Poloneza 89, 02-826 Warszawa, Poland

PORTUGAL (351) 21 472 45 00  
Alameda dos Moinhos, 9G, 2720-381 Alfragide Portugal

ROMANIA (40) 213205111  
Str Frunzei 29, Sector 2, Bucharest, Romania

SLOVAKIA (421) 41 321321 1  
Fantranská 1223, 01301 Teplice nad Váhom, Slovakia

SLOVENIA (386) 7388 5412  
Mirnska cesta 7, SLO-8210 Trebnje, Slovenia

SPAIN (34) 945 184 100  
Zuazobidea 14, 01015 Vitoria, Spain

SWEDEN (46) 8 603 12 00  
Ekhagsvägen 29-31, SE-141 71 Segeltorp, Sweden

SWITZERLAND (41) 052 396 31 31  
Dorfstrasse 7, CH-8484, Weisslingen, Switzerland

UNITED KINGDOM (44) 0845 121 5122  
Vincent Avenue, Crownhill, Milton Keynes, Buckinghamshire MK8 0AN, United Kingdom

# SMC Corporation

URL: <https://www.smcworld.com> (Global) <https://www.smceu.com> (Europe)  
SMC Corporation, 4-14-1, Sotokanda, Chiyoda-ku, Tokyo 101-0021, Japan  
Specifications are subject to change without prior notice from the manufacturer.  
© 2022 SMC Corporation All Rights Reserved.