



# Operation Manual

PRODUCT NAME

Pressure Sensor for General Fluids

MODEL / Series / Product Number

*PSE575/576/577*

**SMC Corporation**

## Table of Contents

Safety Instructions	2
Model Identification and How to Order	8
Names of Parts of Product and Handling Precautions	9
Mounting and Installation	10
Wiring	10
Troubleshooting	12
Specification	13
Specifications	13
Dimensions	15



# Safety Instructions

These safety instructions are intended to prevent hazardous situations and/or equipment damage. These instructions indicate the level of potential hazard with the labels of "Caution", "Warning" or "Danger".

They are all important notes for safety and must be followed in addition to International Standards (ISO/IEC)\*1), and other safety regulations\*2).

\*1) ISO 4414: Pneumatic fluid power -- General rules relating to systems.

ISO 4413: Hydraulic fluid power -- General rules relating to systems.

IEC 60204-1: Safety of machinery -- Electrical equipment of machines .(Part 1: General requirements)

ISO 10218: Manipulating industrial robots -Safety. etc.

\*2) High Pressure Gas Safety Law.



## Caution

**Caution** indicates a hazard with a low level of risk which, if not avoided, could result in minor or moderate injury.



## Warning

**Warning** indicates a hazard with a medium level of risk which, if not avoided, could result in death or serious injury.



## Danger

**Danger** indicates a hazard with a high level of risk which, if not avoided, will result in death or serious injury.

## Warning

### 1. The compatibility of the product is the responsibility of the person who designs the equipment or decides its specifications.

Since the product specified here is used under various operating conditions, its compatibility with specific equipment must be decided by the person who designs the equipment or decides its specifications based on necessary analysis and test results.

The expected performance and safety assurance of the equipment will be the responsibility of the person who has determined its compatibility with the product.

This person should also continuously review all specifications of the product referring to its latest catalog information, with a view to giving due consideration to any possibility of equipment failure when configuring the equipment.

### 2. Only personnel with appropriate training should operate machinery and equipment.

The product specified here may become unsafe if handled incorrectly.

The assembly, operation and maintenance of machines or equipment including our products must be performed by an operator who is appropriately trained and experienced.

### 3. Do not service or attempt to remove product and machinery/equipment until safety is confirmed.

1. The inspection and maintenance of machinery/equipment should only be performed after measures to prevent falling or runaway of the driven objects have been confirmed.

2. When the product is to be removed, confirm that the safety measures as mentioned above are implemented and the power from any appropriate source is cut, and read and understand the specific product precautions of all relevant products carefully.

3. Before machinery/equipment is restarted, take measures to prevent unexpected operation and malfunction.

### 4. Contact SMC beforehand and take special consideration of safety measures if the product is to be used in any of the following conditions.

1. Conditions and environments outside of the given specifications, or use outdoors or in a place exposed to direct sunlight.

2. Installation on equipment in conjunction with atomic energy, railways, air navigation, space, shipping, vehicles, military, medical treatment, combustion and recreation, or equipment in contact with food and beverages, emergency stop circuits, clutch and brake circuits in press applications, safety equipment or other applications unsuitable for the standard specifications described in the product catalog.

3. An application which could have negative effects on people, property, or animals requiring special safety analysis.

4. Use in an interlock circuit, which requires the provision of double interlock for possible failure by using a mechanical protective function, and periodical checks to confirm proper operation.



# Safety Instructions

## Caution

### **1. The product is provided for use in manufacturing industries.**

The product herein described is basically provided for peaceful use in manufacturing industries. If considering using the product in other industries, consult SMC beforehand and exchange specifications or a contract if necessary.  
If anything is unclear, contact your nearest sales branch.

## **Limited warranty and Disclaimer/Compliance Requirements**

The product used is subject to the following "Limited warranty and Disclaimer" and "Compliance Requirements".

Read and accept them before using the product.

### **Limited warranty and Disclaimer**

- 1. The warranty period of the product is 1 year in service or 1.5 years after the product is delivered, whichever is first.\*2)**  
Also, the product may have specified durability, running distance or replacement parts. Please consult your nearest sales branch.
- 2. For any failure or damage reported within the warranty period which is clearly our responsibility, a replacement product or necessary parts will be provided.**  
This limited warranty applies only to our product independently, and not to any other damage incurred due to the failure of the product.
- 3. Prior to using SMC products, please read and understand the warranty terms and disclaimers noted in the specified catalog for the particular products.**

#### **\*2) Vacuum pads are excluded from this 1 year warranty.**

A vacuum pad is a consumable part, so it is warranted for a year after it is delivered. Also, even within the warranty period, the wear of a product due to the use of the vacuum pad or failure due to the deterioration of rubber material are not covered by the limited warranty.

### **Compliance Requirements**

- 1. The use of SMC products with production equipment for the manufacture of weapons of mass destruction (WMD) or any other weapon is strictly prohibited.**
- 2. The exports of SMC products or technology from one country to another are governed by the relevant security laws and regulation of the countries involved in the transaction. Prior to the shipment of a SMC product to another country, assure that all local rules governing that export are known and followed.**

## Caution

### **SMC products are not intended for use as instruments for legal metrology.**

Products that SMC manufactures or sells are not measurement instruments that are qualified by pattern approval tests relating to the measurement laws of each country.  
Therefore, SMC products cannot be used for business or certification ordained by the measurement laws of each country.

## Operator

- ◆ This operation manual is intended for those who have knowledge of machinery using pneumatic equipment, and have sufficient knowledge of assembly, operation and maintenance of such equipment. Only those persons are allowed to perform assembly, operation and maintenance.
- ◆ Read and understand this operation manual carefully before assembling, operating or providing maintenance to the product.

### ■ Safety Instructions

#### Warning

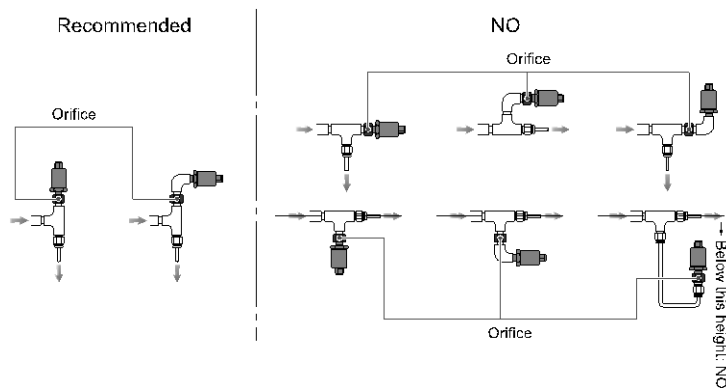
- Do not disassemble, modify (including changing the printed circuit board) or repair.  
An injury or failure can result.
- Do not operate the product outside of the specifications.  
Do not use for flammable or harmful fluids.  
Fire, malfunction, or damage to the product can result.  
Verify the specifications before use.
- Do not operate in an atmosphere containing flammable or explosive gases.  
Fire or an explosion can result.  
This product is not designed to be explosion proof.
- Do not use the product in a place where static electricity is a problem.  
Otherwise it can cause failure or malfunction of the system.
- If using the product in an interlocking circuit:
  - Provide a double interlocking system, for example a mechanical system
  - Check the product regularly for proper operationOtherwise malfunction can result, causing an accident.
- The following instructions must be followed during maintenance:
  - Turn off the power supply
  - Stop the air supply, exhaust the residual pressure and verify that the air is released before performing maintenanceOtherwise an injury can result.

## ⚠ Caution

- After maintenance is complete, perform appropriate functional inspections and leak tests.  
Stop operation if the equipment does not function properly or there is a leakage of fluid.  
When leakage occurs from parts other than the piping, the product might be faulty.  
Disconnect the power supply and stop the fluid supply.  
Do not apply fluid under leaking conditions.  
Safety cannot be assured in the case of unexpected malfunction.
- Use within the specified operating pressure.  
Otherwise it can cause damage to the Pressure Sensor or inability to measure correctly.  
If fluid is supplied at a pressure exceeding the proof pressure, the ceramic diaphragm will be damaged. A significantly damaged diaphragm will result in external leakage. In addition, the power supply is short circuited depending on the applied fluid. Please use a power supply which includes short circuit protection.

## ■ NOTE

- Follow the instructions given below when designing, selecting and handling the product.
- The instructions on design and selection (installation, wiring, environment, adjustment, operation, maintenance, etc.) described below must also be followed.
- \* Product specifications
  - Use the specified voltage.  
Otherwise failure or malfunction can result.
  - Applicable fluid is a fluid that does not corrode C3604 + electroless nickel plated, Al203 (aluminum oxide) and FKM.  
Do not use a fluid containing chemicals, synthetic oils including organic solvent, salt and corrosive gases.  
Otherwise, damage to the product and malfunction can result.  
Check the details of the specifications before using.
  - Reserve a space for maintenance.  
Allow sufficient space for maintenance when designing the system.
  - A ceramic diaphragm type pressure sensor is used in this product. The ceramic diaphragm can be damaged by overpressure from hydraulic shock, which can be generated when condensate in the fluid collides with the sensor during pressure fluctuation. This is also known as "water hammer".  
To mitigate hydraulic shock, it is recommended to insert an orifice between the fluid and the sensor. A gas pocket also needs to be between the orifice and the sensor to cushion the shock pulse. The sensor would then need to be located above the orifice with the orifice mounted vertically so that no fluid gets between the orifice and sensor. Some recommended and NOT recommended examples are shown in the following figure. Part numbers ZS-31-X175 or X188 are applicable orifices (called throttles in product literature).



## ●Product handling

### \*Installation

- Follow the specified tightening torque.

Excessive tightening torque can break the Pressure Sensor.

Insufficient tightening torque can displace the Pressure Sensor from the original position or loosen the mounting screws. Refer to the following table for the appropriate torque values.

Nominal size screws	Appropriate tightening torque (Nm)
R1/4	8 to 12

- When piping, apply a spanner vertically to the piping section for the sensor.  
Applying the wrench in other position can break the Pressure Sensor
- Be sure to ground terminal FG when using a commercially available switch-mode power supply.
- Do not drop, hit or apply shock to the Pressure Sensor.  
Otherwise damage to the internal parts can result, causing malfunction.
- Do not pull the lead wire forcefully, not lift the product by pulling the lead wire. (Tensile force 35N or less)  
Hold the body when handling to avoid the damage of the Pressure Sensor lead to cause the failure and malfunction.
- For piping of the Pressure Sensor, hold the piping with a spanner on the metal part of the piping (Piping attachment).  
Holding other part with spanner leads to damage the Pressure Sensor.
- Eliminate any dust left in the piping by air blow before connecting the piping to the product.  
Otherwise it can cause damage or malfunction.
- Do not insert metal wires or other foreign matter into the pressure measurement port.  
It can damage the Pressure Sensor causing failure or malfunction.

### \*Wiring

- Do not pull the lead wires.  
In particular, never lift a Pressure Sensor equipped with fitting and piping by holding the lead wires.
- Avoid repeatedly bending or stretching the lead wire, or placing heavy load on them.  
Repetitive bending stress or tensile stress can cause the sheath of the wire to peel off, or breakage of the wire.  
If the lead wire can move, fix it near the body of the product.  
The recommended bend radius of the lead wire is 6 times the outside diameter of the sheath, or 33 times the outside diameter of the insulation material, whichever is larger.  
Replace the damaged lead wire with a new one.
- Wire correctly.  
Incorrect wiring can break the Pressure Sensor.
- Do not perform wiring while the power is on.  
Otherwise damage to the internal parts can result, causing malfunction.
- Do not route wires and cables together with power or high voltage cables.  
Otherwise the product can malfunction due to interference of noise and surge voltage from power and high voltage cables to the signal line. Route the wires (piping) of the product separately from power or high voltage cables.
- Confirm proper insulation of wiring.  
Poor insulation (interference from another circuit, poor insulation between terminals, etc.) can lead to excess voltage or current being applied to the product, causing damage.
- Keep wiring as short as possible to prevent interference from electromagnetic noise and surge voltage.  
Do not use a cable longer than 30 m.  
Wire the DC(-) line(blue) as close as possible to the power supply.
- Ensure that the FG terminal is connected to ground when using a commercially available switch-mode power supply. When a switch-mode power supply is connected to the product, switching noise will be superimposed and the product specification can no longer be met. This can be prevented by inserting a noise filter, such as a line noise filter and ferrite core, between the switch-mode power supply and the product, or by using a series power supply instead of a switch-mode power supply.

#### \*Environment

- Do not use the product in area that is exposed to corrosive gases, chemicals, sea water, water or steam.  
Otherwise failure or malfunction can result.
- Do not use in a place where the product could be splashed by oil or chemicals.  
If the product is to be used in an environment containing oils or chemicals such as coolant or cleaning solvent, even for a short time, it may be adversely affected (damage, malfunction, or hardening of the lead wires).
- Do not use in an area where electrical surges are generated. (EMI or Electro Magnetic Interference)  
If there is equipment which generates a large amount of EMI (solenoid type lifter, high frequency induction furnace, motor, etc.) close to the Pressure Sensor, this may cause deterioration or breakage of the internal circuit of the Pressure Sensor. Avoid sources of surge generation and crossed lines.
- The product is CE marked, but not immune to lightning strikes. Take measures against lightning strikes in the system.
- Mount the product in a place that is not exposed to vibration or impact.  
Otherwise failure or malfunction can result.
- Prevent foreign matter such as remnant of wires from entering the Pressure Sensor.  
Take proper measures for the remnant not to enter the Pressure Sensor in order to prevent failure or malfunction.
- Do not use the product in an environment that is exposed to temperature cycle.  
Heat cycles other than ordinary changes in temperature can adversely affect the inside of the product.
- Do not expose the product to direct sunlight.  
If using in a location directly exposed to sunlight, shade the product from the sunlight.  
Otherwise failure or malfunction can result.
- Keep within the specified fluid and ambient temperatures range.  
The fluid and ambient temperatures should be -10 to 60 °C. Operation under low temperature leads to cause damage or operation failure due to frozen moist in the fluid or air.  
Protection against freezing is necessary. Air dryer is recommended for elimination of drain and water.  
Avoid sudden temperature change even within specified temperature.
- Do not operate close to a heat source, or in a location exposed to radiant heat.  
Otherwise malfunction can result.

#### \*Adjustment and Operation

- Do not short-circuit the load.
- If using the product to detect very small pressure rates, warm up the product for 20 to 30 minutes first.  
There will be a drift on the analogue output of approximate  $\pm 1\%$  immediately after the power supply is turned on, within 10 minutes.

#### \*Maintenance

- Turn off the power supply, stop the supplied air, exhaust the residual pressure and verify the release of air before performing maintenance.  
There is a risk of unexpected malfunction.
- Perform regular maintenance and inspections.  
There is a risk of unexpected malfunction.
- Perform drainage regularly.  
If condensate enters the secondary side, it can cause operating failure of pneumatic equipment.
- Do not use solvents such as benzene, thinner etc. to clean the Pressure Sensor.  
They could damage the surface of the body and erase the markings on the body.  
Use a soft cloth to remove stains. For heavy stains, use a cloth soaked with diluted neutral detergent and fully squeezed, then wipe up the stains again with a dry cloth.



## Model Indication and How to Order

PSE57 7 - 02 -    

Sensor range

Symbol	Content
5	Positive pressure (0 to 2 MPa)
6	Positive pressure (0 to 5 MPa)
7	Positive pressure (0 to 10 MPa)

Port size

Symbol	Content
02	R1/4 (with M5 female thread)

Lead wire/Option

Symbol	Content
Nil	With lead wire and M12 connector (3 m) Straight
L	With lead wire and M12 connector (3 m) Right angle
N	None

Output specification

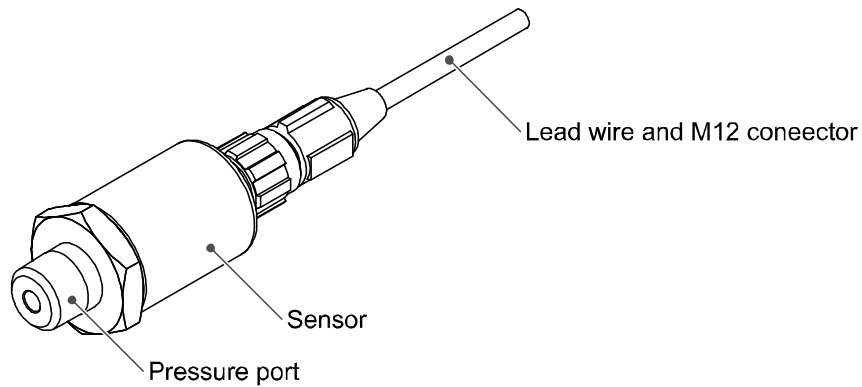
Symbol	Content
Nil	Voltage output type (1 to 5 V)
28	Current output type (4 to 20 mA)

○Option

Description	Part No.	Remarks
Lead wire and M12 connector (3 m) Straight	ZS-37-A	1 pc.
Lead wire and M12 connector (3 m) Right angle	ZS-37-B	1 pc.
Adapter with throttle Rc1/4	ZS-31-X175	1 pc.

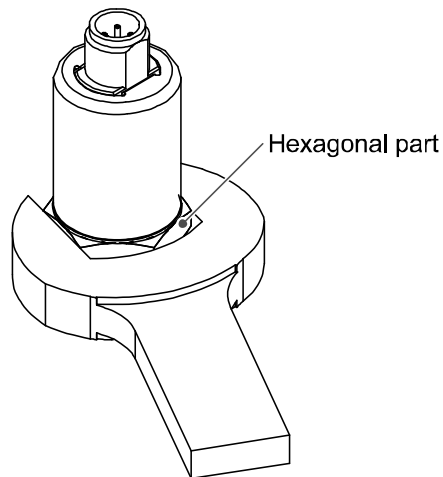
## Names of Parts of Product and Handling Precautions

### Names of parts of product



- Only fluids which are non-corrosive to C3604 + electroless nickel plated, Al<sub>2</sub>O<sub>3</sub> (aluminum oxide) and FKM should be used.

### Handling precautions



- When piping, apply a spanner to the piping section of the sensor.

Nominal size screws	Appropriate tightening torque (Nm)
R1/4	8 to 12

# Mounting and Installation

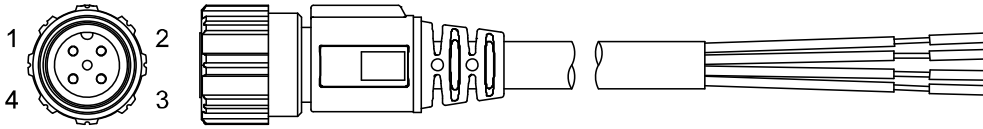
## ■Wiring

### ○Connector pin numbers

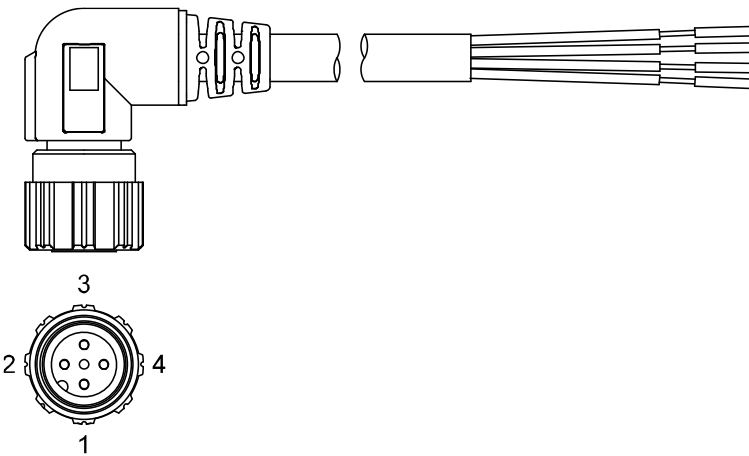
When the lead wire and connector (ZS-37-A or ZS-37-B) designated for the PSE570 is used, the wire colours will apply as shown in the diagram.

### Connector pin numbers (on the lead wire)

#### •ZS-37-A



#### •ZS-37-B

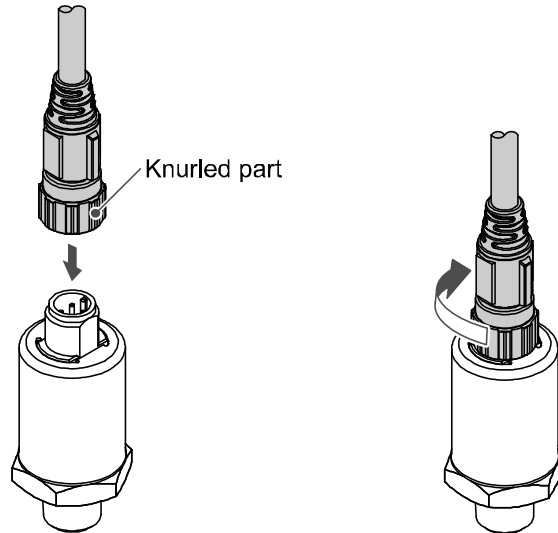


Pin No.	Content	Colour
1	DC(+)	Brown
2	N.C. *	White
3	DC(-)	Blue
4	Analogue output	Black

\*: The unconnected terminals are used in SMC, so please do not connect them.

○How to connect the body and the lead wire and connector

- Align the lead wire connector with the connector key groove, and insert vertically.
- Connection is complete when the knurled part is fully tightened. Check that the connection is not loose.

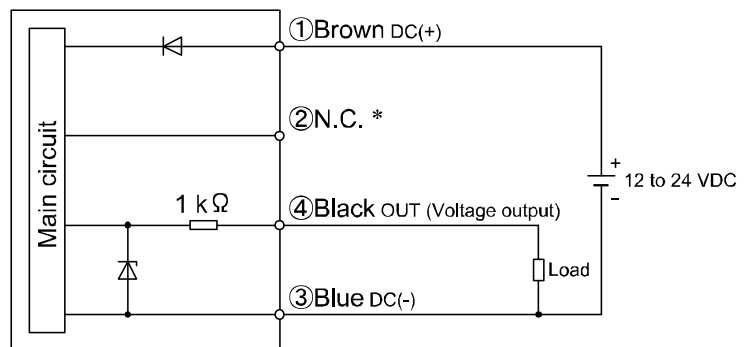


○Internal circuit and wiring example

- Output specification

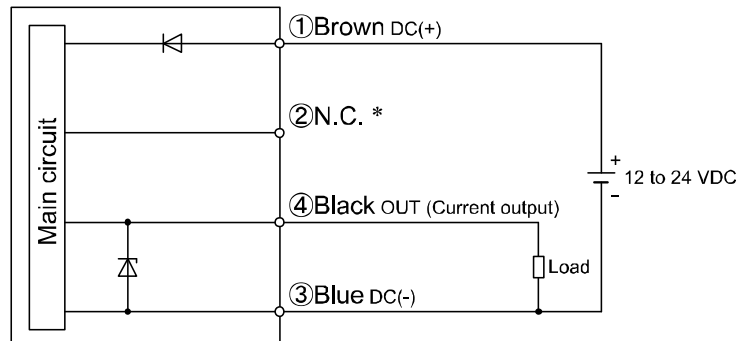
**PSE57□-02**

Voltage output: 1 to 5 V  
Output impedance: Approx. 1 k $\Omega$



**PSE57□-02-28**

Current output: 4 to 20 mA  
Allowable load impedance:  
500  $\Omega$  or less (at 24 VDC)  
100  $\Omega$  or less (at 12 VDC)



\*: The unconnected terminals are used in SMC, so please do not connect them.

## Troubleshooting

### ○Cross-reference for troubleshooting

Problem	Possible cause	Investigation method	Countermeasure
Analogue output is not provided. (Specified accuracy is not satisfied.)	Incorrect wiring	Check if the analogue output line is connected with a load.	Correct the wiring.
	Non-compliance with the load spec.	(1) Check if the proper load is connected. (2) Check if input impedance of input equipment (such as the A/D) is proper.	Connect a proper load.
	Insufficient warm-up	Check if the product satisfies the specified accuracy in 20 minutes after supplying power.	After energizing, indication and output can drift. For detecting fine pressure, warm up the product for 20 to 30 minutes.
	Product failure		Replace the product.
Noisy.	Air and liquid leakage	Check if air liquid are leaking from the piping.	Rework the piping. If excessive tightening torque over the specified range is applied, a mounting screw, mounting bracket, and product may be broken.
	Product failure		Replace the product.

# Specification

## ■ Specifications

Model		PSE575	PSE576	PSE577
Pressure spec.	Rated pressure range	0 to 2 MPa	0 to 5 MPa	0 to 10 MPa
	Withstand pressure	5 MPa	12.5 MPa	30 MPa
Temperature characteristics		±5%F.S. (at 25 °C)		

Model		PSE57□-02	PSE57□-02-28
Fluid	Applicable	Gas or liquid that will not attack or corrode the materials of parts in contact with fluid	
Electrical spec.	Power supply voltage	12 to 24 VDC±10% with 10% voltage ripple or less	
	Current consumption	10 mA or less	
	Protection	Protected against inverse connection	
Analogue output	Output type	Analogue output: 1 to 5 V Output impedance: Approx. 1 kΩ	Analogue output: 4 to 20 mA Maximum load impedance: 500 Ω or less (at 24 VDC) 100 Ω or less (at 12 VDC)
Analogue output Accuracy (Ambient temperature at 25 °C)		±2.5%F.S.	
Linearity		±0.5%F.S.	
Repeatability		±0.5%F.S. (at 25 °C)	
Environmental	Enclosure	IP65	
	Withstand voltage	500 VAC, 1 minute, Between lead block and case	
	Insulation resistance	100 MΩ or more (at 500 VDC) Between lead block and case	
	Operating temperature range	Operation: -10 to 60 °C, Storage: -20 to 70 °C (No condensation or freezing)	
	Operating humidity range	Operation, Storage: 35 to 85%RH (No condensation)	
Standard		CE marked (EMC directive, RoHS directive)	
Lead wire and M12 connector		3 m	

### ○Piping specifications

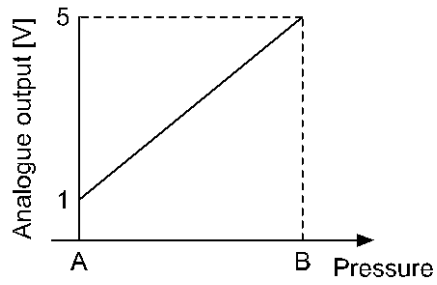
Model		02
Port size		R1/4, M5 x 0.8
Materials of parts in contact with fluid		Piping port: C3604 + electroless nickel plated Pressure sensor: Al <sub>2</sub> O <sub>3</sub> (aluminum oxide) Sensor seal: FKM
Weight	Without lead wire and M12 connector	103 g
	With lead wire and M12 connector	191 g

### ○Cable specifications

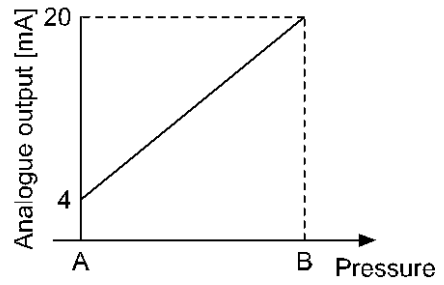
Conductor	Nominal cross section area	AWG23
	Outside diameter	0.72 mm
Insulator	Material	Cross linked vinyl chloride
	Outside diameter	1.14 mm
	Colours	Brown, Blue, Black, White
Sheath	Material	Oil resistant vinyl chloride
Finished outside diameter		φ4

○Analogue output

1 to 5 VDC

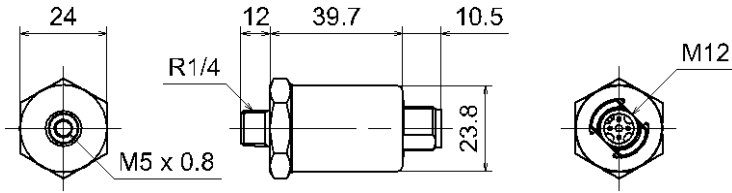


4 to 20 mA

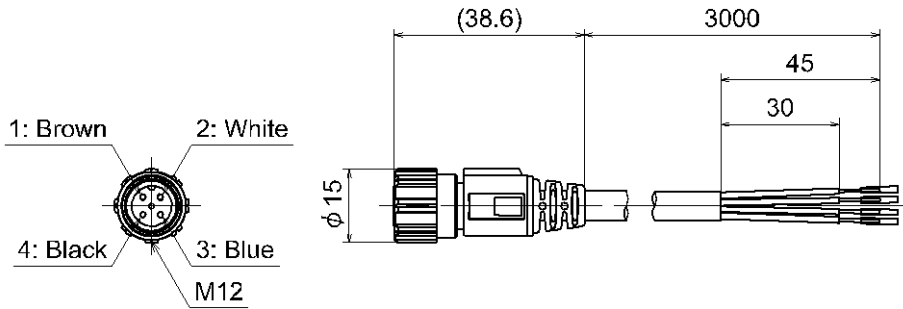


Model	Rated pressure range	A	B
PSE575	0 to 2 MPa	0	2 MPa
PSE576	0 to 5 MPa	0	5 MPa
PSE577	0 to 10 MPa	0	10 MPa

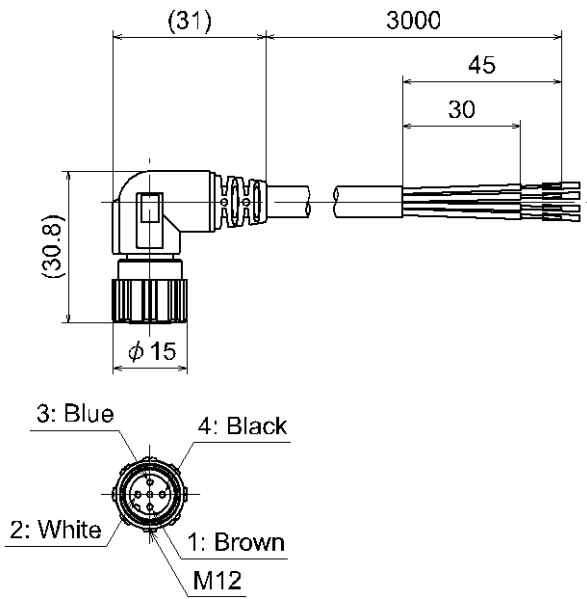
■ Dimensions



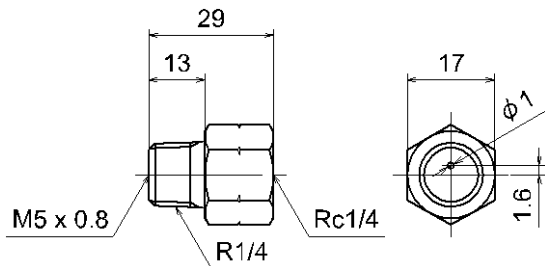
● Lead wire and M12 connector  
ZS-37-A



ZS-37-B



● Adapter with throttle  
ZS-31-X175





#### Revision history

A: Contents revised in several places.  
B: Contents revised in several places. [July 2018]  
C: Contents revised in several places.  
[October 2020]

## SMC Corporation

4-14-1, Sotokanda, Chiyoda-ku, Tokyo 101-0021 JAPAN

Tel: + 81 3 5207 8249 Fax: +81 3 5298 5362

URL <https://www.smcworld.com>

---

Note: Specifications are subject to change without prior notice and any obligation on the part of the manufacturer.

© 2015-2020 SMC Corporation All Rights Reserved

