



SWITCHOVER DOCUMENT

RSQ-Z Series
Stopper cylinder
Ø16, Ø20, Ø32, Ø40 and Ø50

Improved features and related benefits

Feature

- Female thread type has been added to the "round bar type" and "chamfered type" of the rod end shape. Now 10 types of rod end configurations are available.

Customer Benefit

- Mounting and installing possibilities extended.



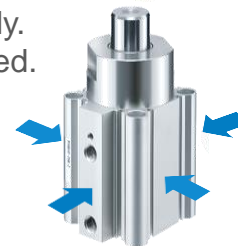
Round Bar with Female Rod End



Chamfered with Female Rod End

Feature

- Auto switch can be mounted on 4 surfaces due to the refreshed body.
- For mounting of the D-M9*/D-A9*, mounting brackets are not required.



Customer Benefit

- Good visibility of piston position is ensured when auto switches with colour indication are installed.
- Installation time is reduced, as well as the inventory, due to standardisation of auto switches.

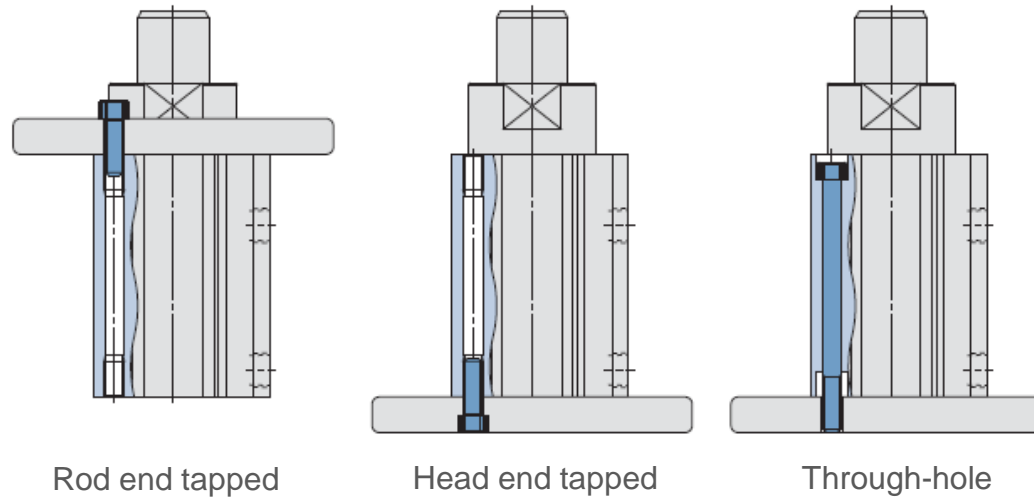
Current model	New model

Feature

- Mounting bolt is included in the package if the option is selected in the part number (L option).

Customer Benefit

- More facilities to mount the actuator.
- No need for purchasing bolts independently.



Standard specifications

The specifications are the same as the current product.

Dimensions

The dimensions and mounting dimensions are the same as the current product.

Maintenance

Maintenance parts are the same as the current product.

Appearance

The trademark is now printed on the side of the rod cover.

