

## SWITCHOVER DOCUMENT

**CY3B-Z Series**  
Magnetically coupled rodless cylinder

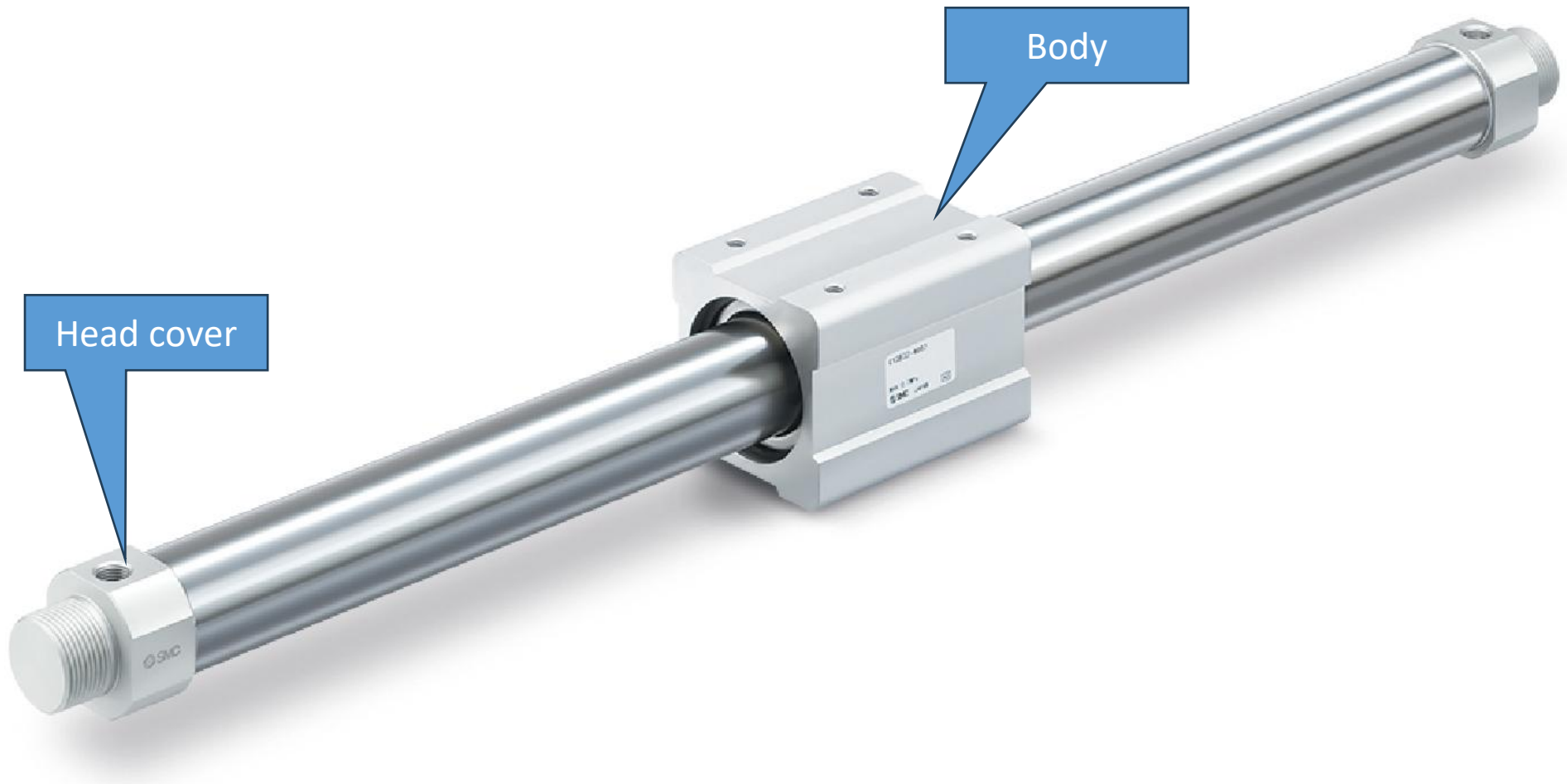
## Improved features and related benefits

### Feature

- Weight reduction. Typically, 16% lower compared to the previous model. The product weight has been reduced by a redesign of the body, head cover shape and magnetic coupling.

### Customer Benefit

- CY3B-Z contributes to a reduced overall mass of machinery.



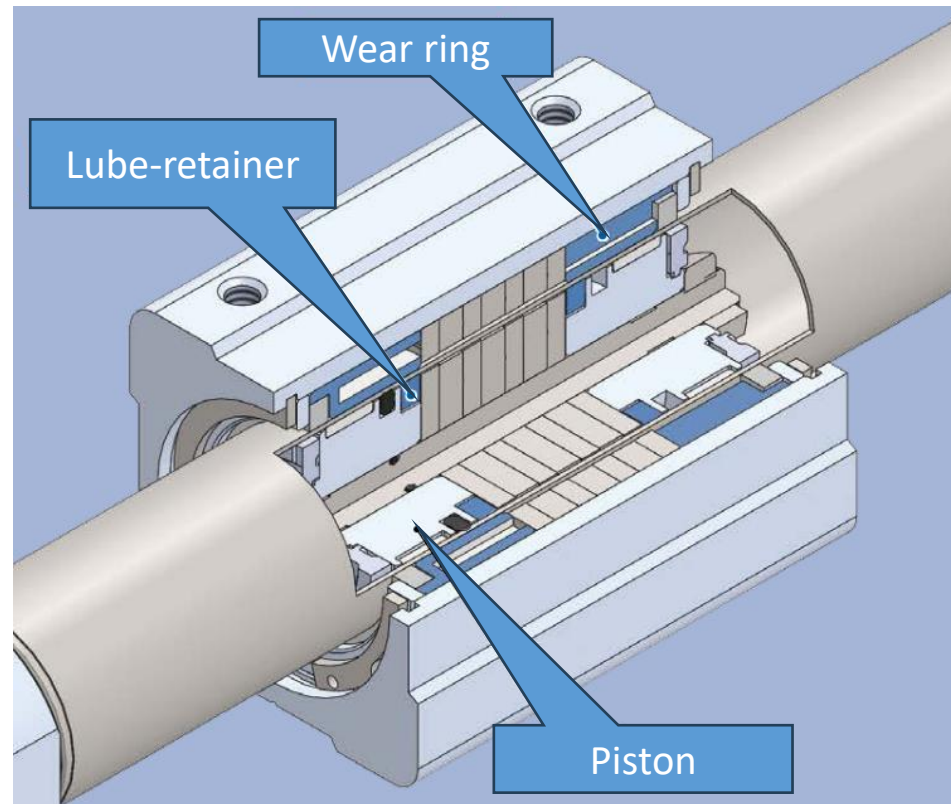
## Improved features and related benefits

### Feature

- Improved lubrication and lengthened wear ring. For bore sizes  $\varnothing 15$  to  $\varnothing 63$ , a lube-retainer is installed to support retention of lubrication on the piston and to ensure a lubrication film.

### Customer Benefit

- Smooth movement and prevention of a shortened life due to a loss of lubrication and increased piston resistance.

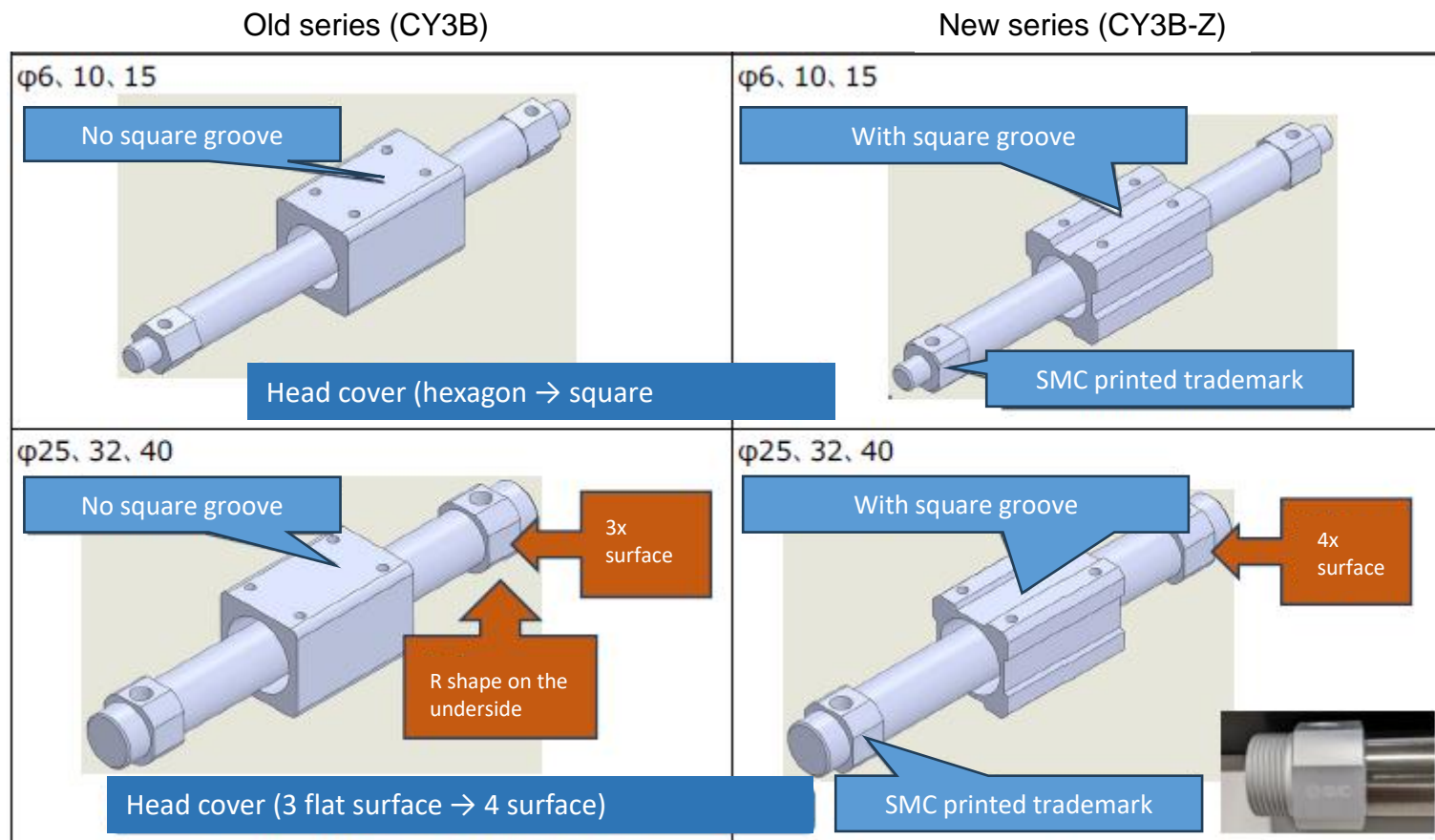


## Standard Specifications

Basic performance, minimum and maximum stroke lengths, and holding forces are the same as the previous model (CY3B).

## Appearance

- Body profiles differ and an SMC trademark is now applied.
- For bore sizes  $\varnothing 25$ ,  $\varnothing 32$  and  $\varnothing 40$ , there are 4 rather than 3 flat surfaces on the head cover.



Note: the shape of sizes  $\varnothing 20$ ,  $\varnothing 50$ ,  $\varnothing 63$  has not changed.

## Dimensions

CY3B-Z series mounting dimensions are the same as those of the existing equivalent CY3B series model.

## Replacement parts

Seal kits have been updated for the CY3B-Z series.

Due to difficulties in disassembling larger sizes, it is recommended that CY3B-Z size  $\varnothing 50$  and  $\varnothing 63$  should be overhauled at SMC's factory. For this reason, seal kits are not available.

Bore size ( $\varnothing$ mm)	Old series (CY3B)	New series (CY3B-Z)
6	CY3B6-PS	CY3B6-Z-PS
10	CY3B10-PS	CY3B10-Z-PS
15	CY3B15-PS	CY3B15-Z-PS
20	CY3B20-PS	CY3B20-Z-PS
25	CY3B25-PS	CY3B25-Z-PS
32	CY3B32-PS	CY3B32-Z-PS
40	CY3B40-PS	CY3B40-Z-PS
50	CY3B50-PS	-
63	CY3B633-PS	-

 Updated reference