



ZU#A Series In-line Type Vacuum Ejector

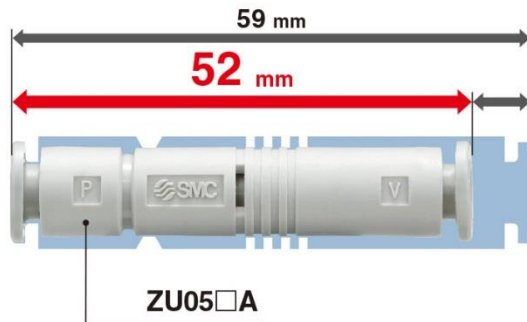
Improved features and related benefits

FEATURE: Reduced overall length, up to 52 mm.

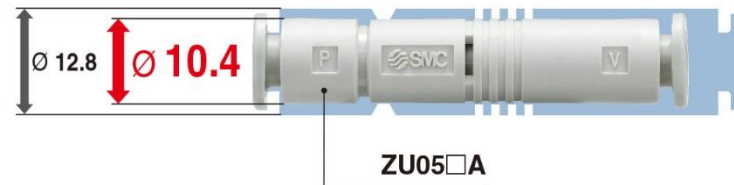
Reduced outside diameter, up to 10.4 mm.

Reduced weight, up to 3.9 g.

CUSTOMER BENEFIT: Space saving and due to weight reduction, less inert moments when the ejector is mounted in mobile applications (example: robot arms).



Overall length reduction



Outside diameter reduction

Current model (ZU05□)
6.5 g



New model (ZU05□A)
3.9 g

Weight reduction

Improved features and related benefits

FEATURE: Higher vacuum pressure reached: -90 kPa

CUSTOMER BENEFIT: Wide range of applications.

FEATURE: Oval type release button

CUSTOMER BENEFIT: Easy detachment.

FEATURE: Piping variations:

- One-touch fittings: \varnothing 6 mm
- Screw-in connections: Rc 1/8

CUSTOMER BENEFIT: Increased mounting flexibility. Labour saving with one-touch fittings on both sides.



Technical details

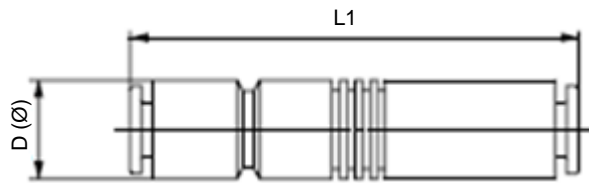
Standard specifications

Model	Nozzle nominal size [mm]	Vacuum pressure reached [kPa]				Maximum suction flow rate [l/min(ANR)]				Air consumption [l/min(ANR)]	
		Type S		Type L		Type S		Type L		OLD	NEW
		OLD	NEW	OLD	NEW	OLD	NEW	OLD	NEW		
ZU05	0.5	-85	-90	-48	-48	7	7	12	13	14	14
ZU07	0.7	-85	-90	-48	-48	10	11	16	16	29	28

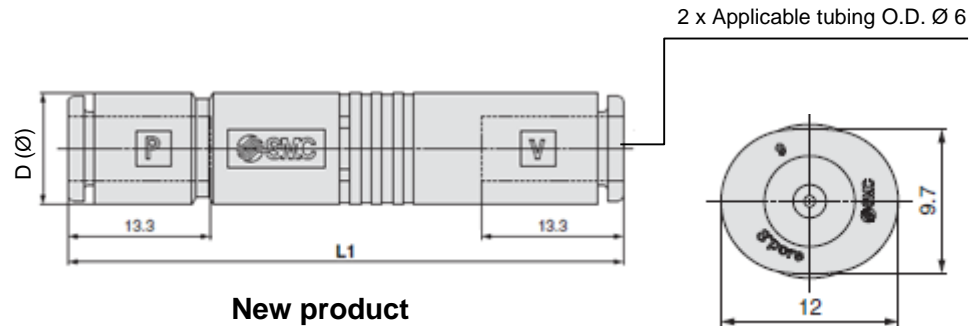
* Supply pressure: 0.45 Mpa

Difference in specifications

Dimensions: One-touch connection piping



Current product



New product

[mm]	D		L1	
Model	OLD	NEW	OLD	NEW
ZU05	12.8	10.4	59	52
ZU07	12.8	10.4	66	59

Difference in specifications